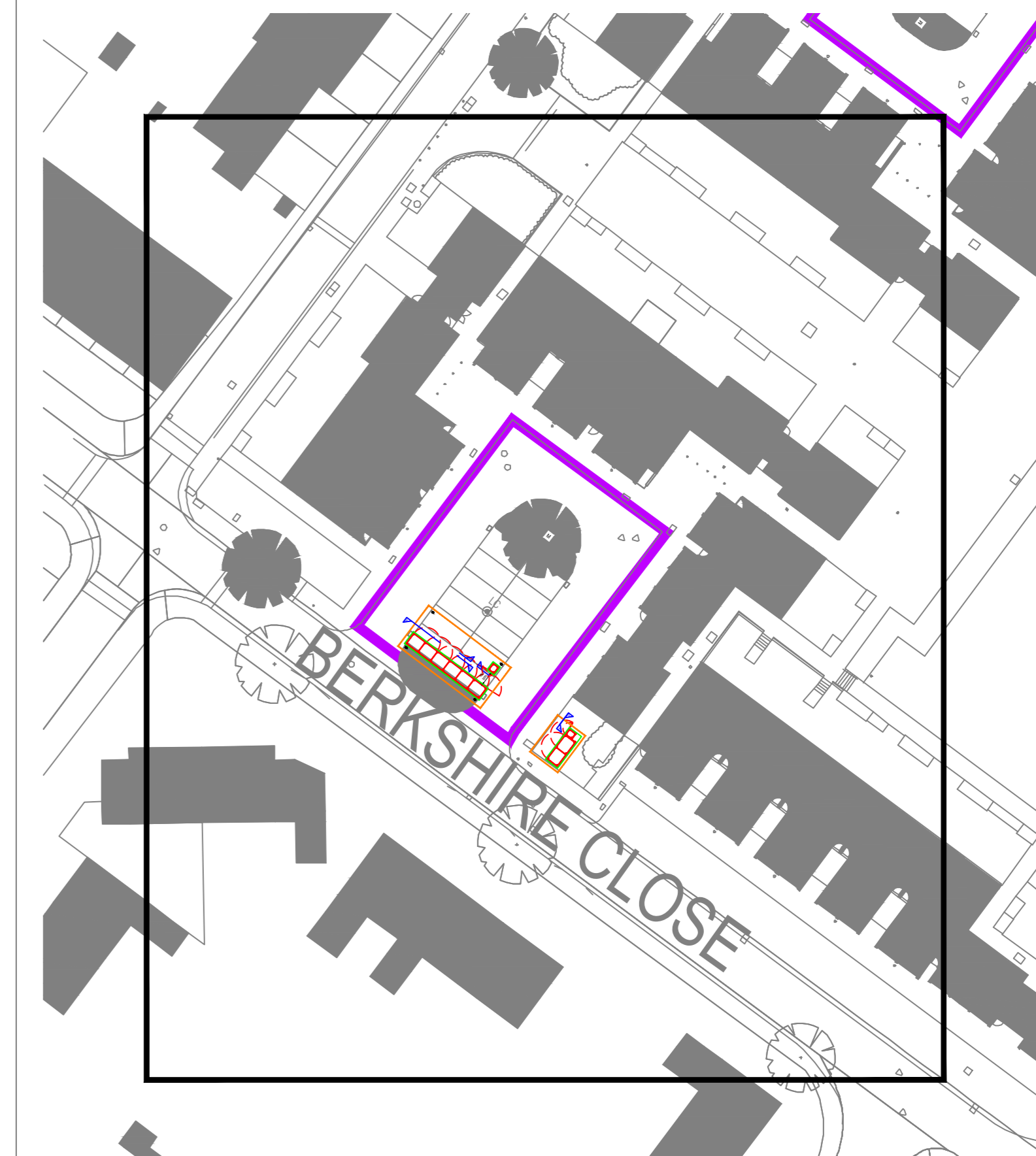


- NOTES**
1. THIS DRAWING IS TO BE READ IN CONJUNCTION WITH ALL OTHER RELEVANT DOCUMENTATION.
 2. DO NOT SCALE FROM THIS DRAWING. USE ONLY PRINTED DIMENSIONS.
 3. ALL DIMENSIONS IN MILLIMETRES; ALL CHAINAGES, LEVELS AND COORDINATES ARE IN METRES UNLESS DEFINED OTHERWISE.
 4. THIS DRAWING IS TO BE READ IN CONJUNCTION WITH THE PROJECT HEALTH & SAFETY FILE FOR ANY IDENTIFIED POTENTIAL RISKS.
 5. THIS DRAWING MUST BE PRINTED IN COLOUR.



KEYPLAN NTS

- NEW CONCRETE PLINTH TO BIN STORES OFFSET 100mm OUTSIDE FOOTPRINT OF BIN STORES
 - NEW BOLLARD
 - INDICATIVE NEW BIN STORE WORK AREA
- 1500
MM
- MINIMUM DISTANCE BETWEEN BIN STORES INDICATED BY METROSTOR

PLANNING APPLICATION	GM	MOAT	
BOLLARDS POSITION REVIEW	RE	KT	09/06/2020 PL2
PLANNING APPLICATION	GM	KT	
DRAFT PLANNING APPLICATION	RE	VC	15/10/19 PL1
FOR COMMENT	SA	XX	22/05/19 PL2-2
DESCRIPTION			

ISSUE/REVISION

SCALE 1:100@A0

PROJECT NUMBER

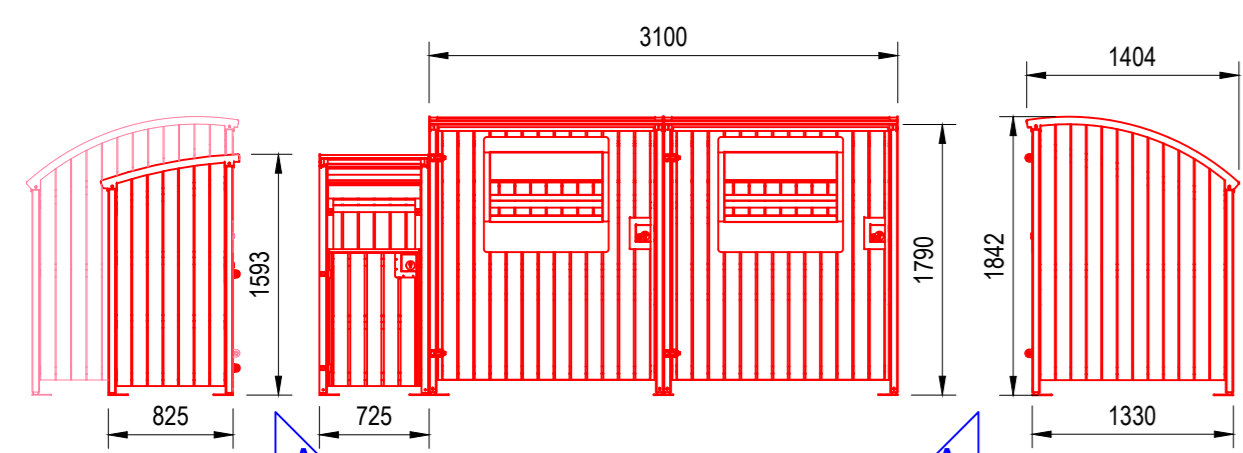
60519374

SHEET TITLE

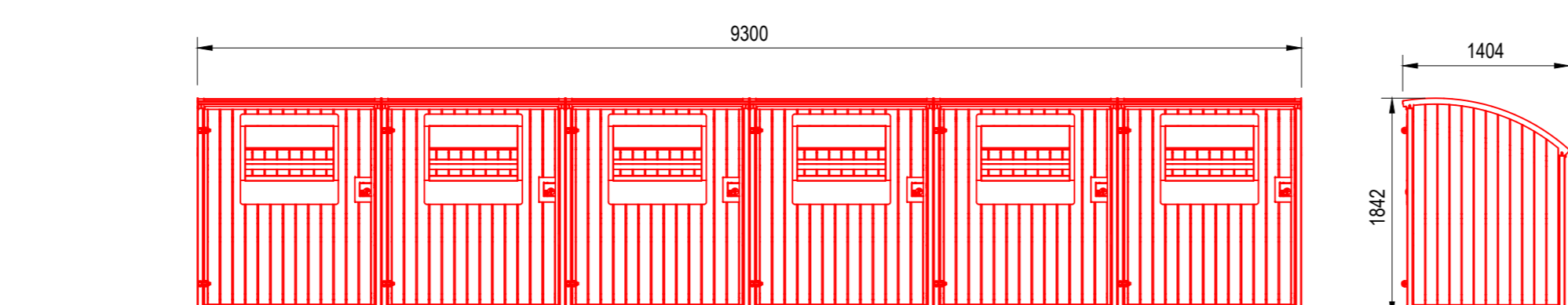
BERKSHIRE CLOSE
PROPOSED BIN STORE LOCATIONS

SHEET NUMBER

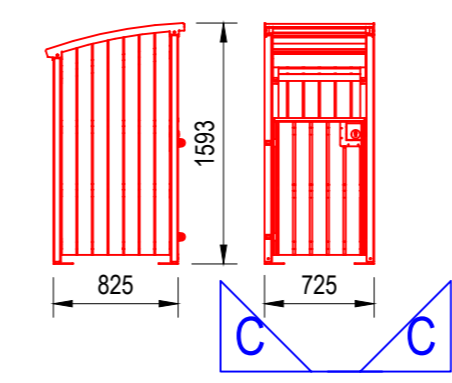
60519374_BERKSHIRE
CLOSE_002_REV_PL2



1:50@A0



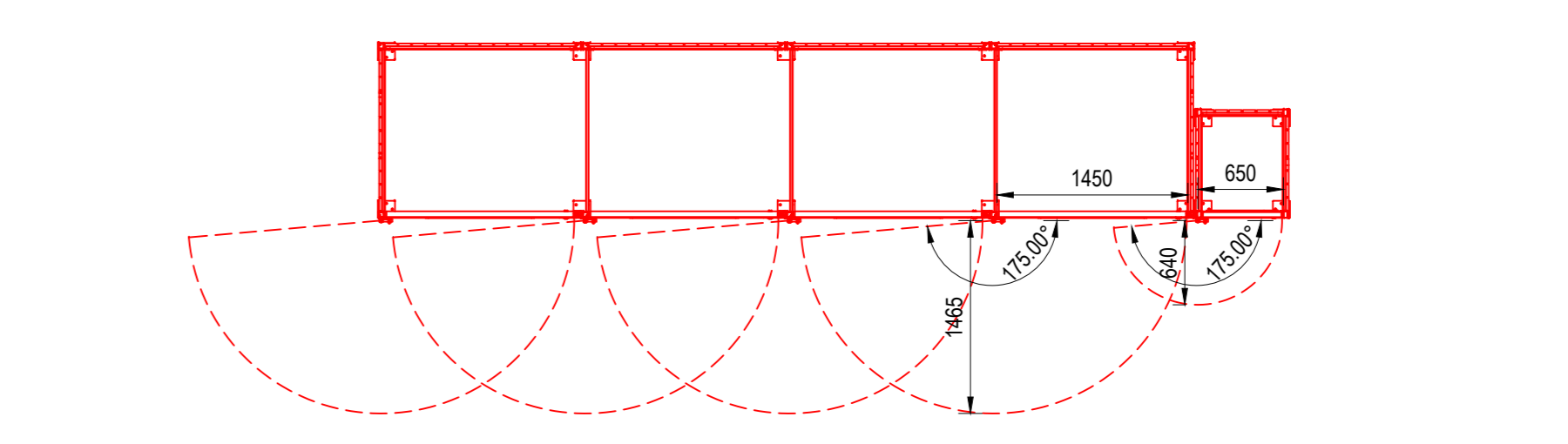
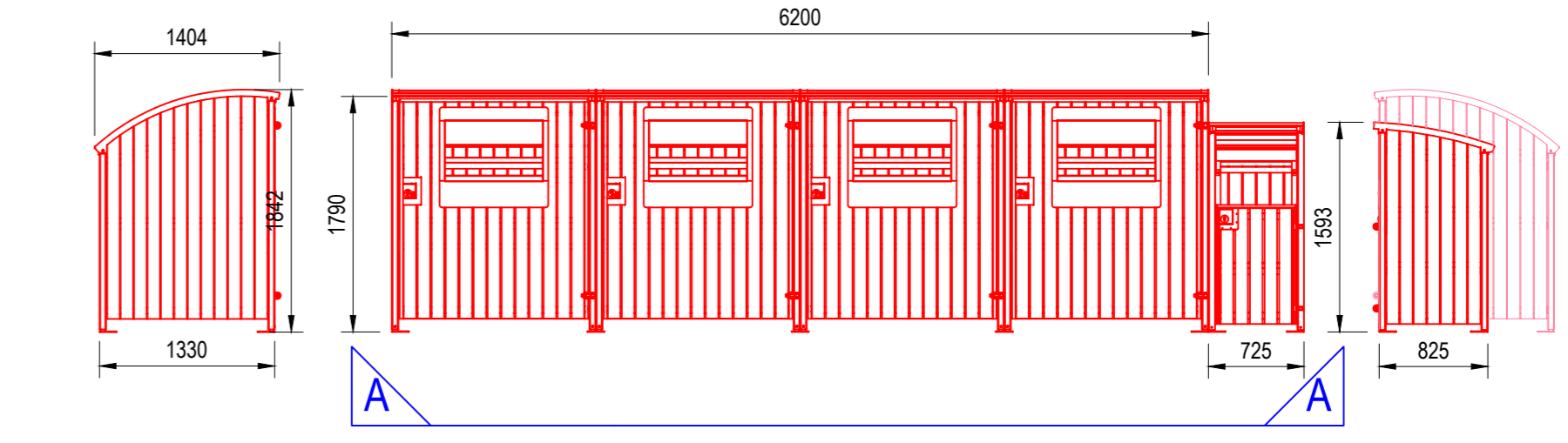
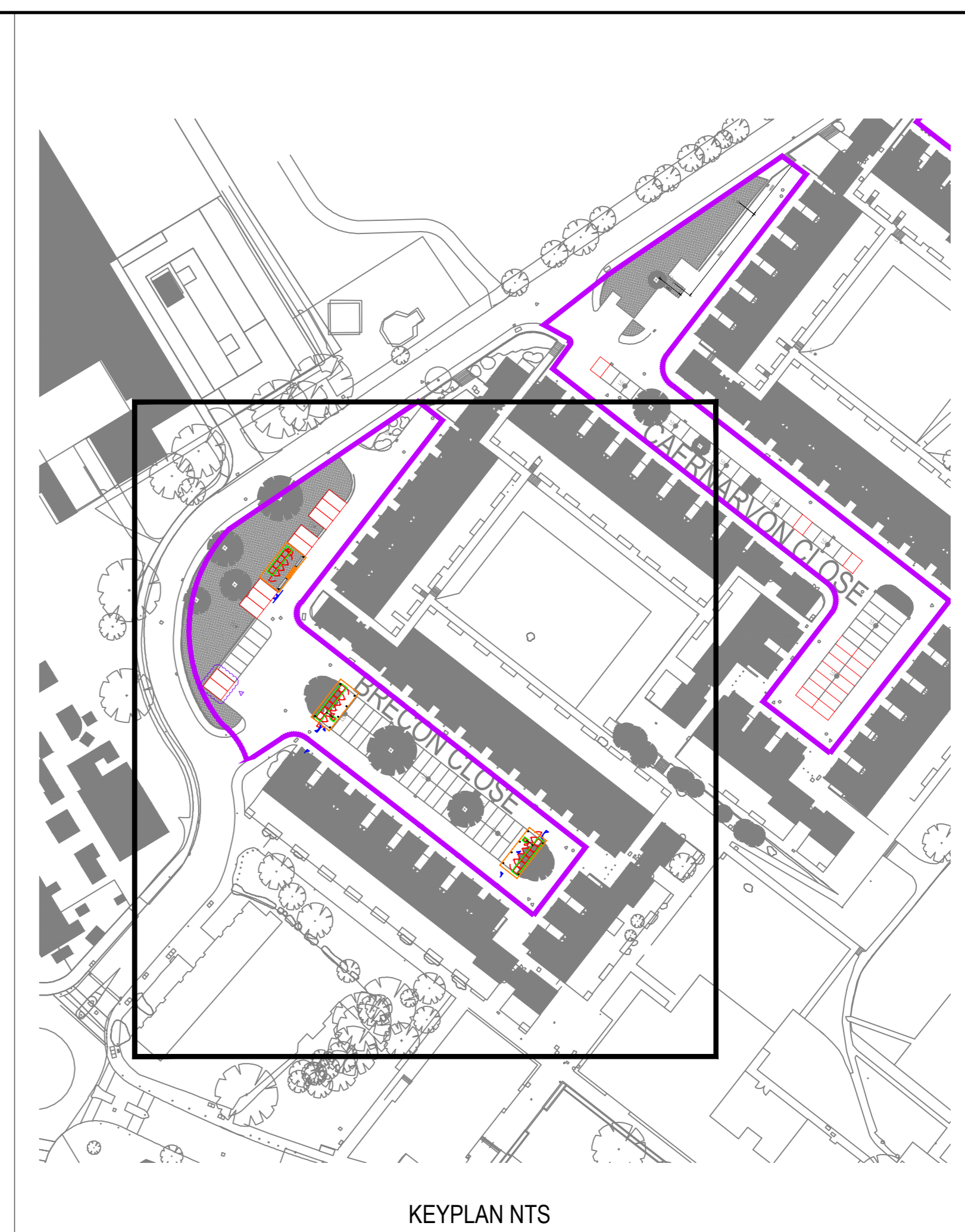
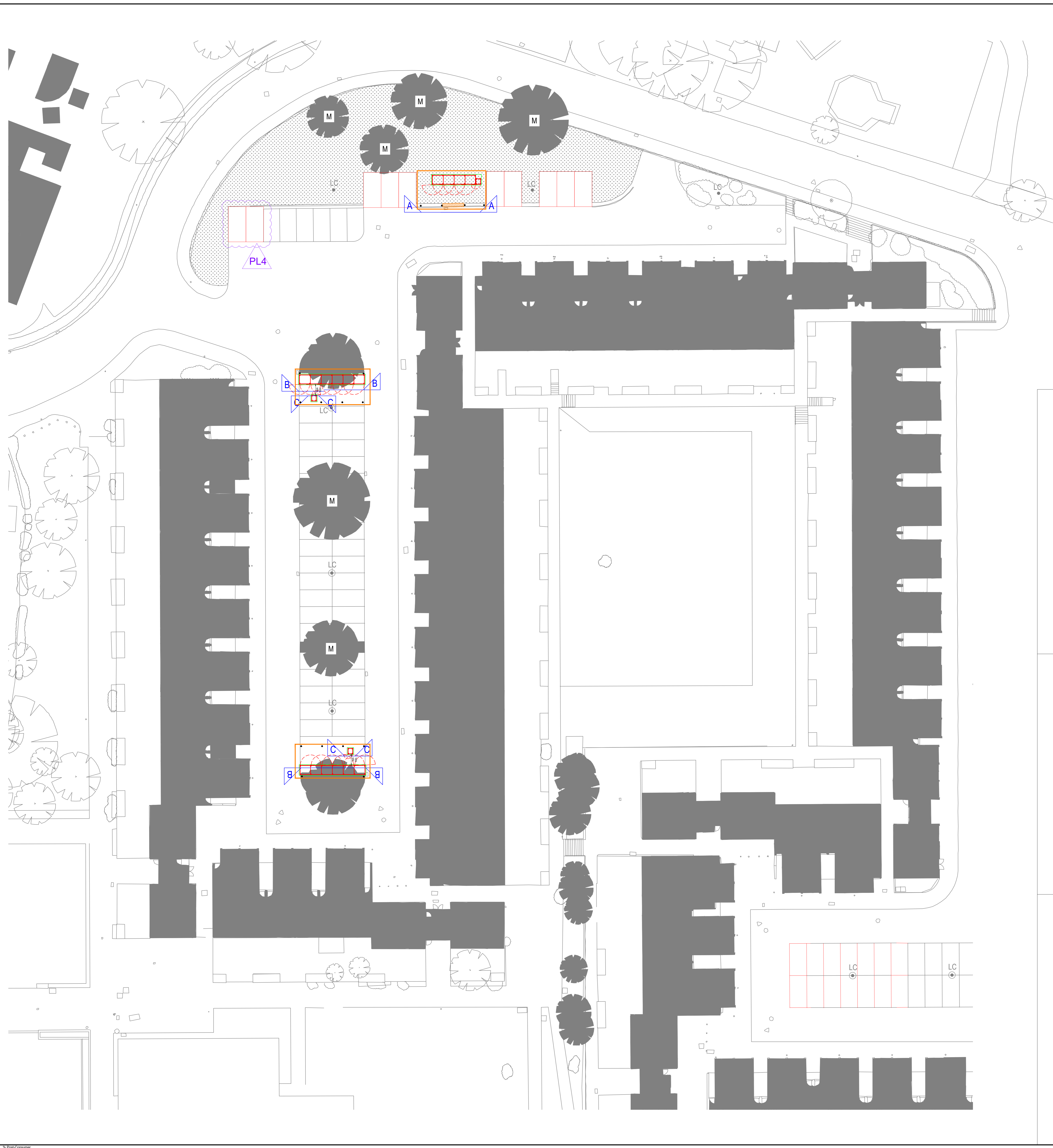
1:50@A0



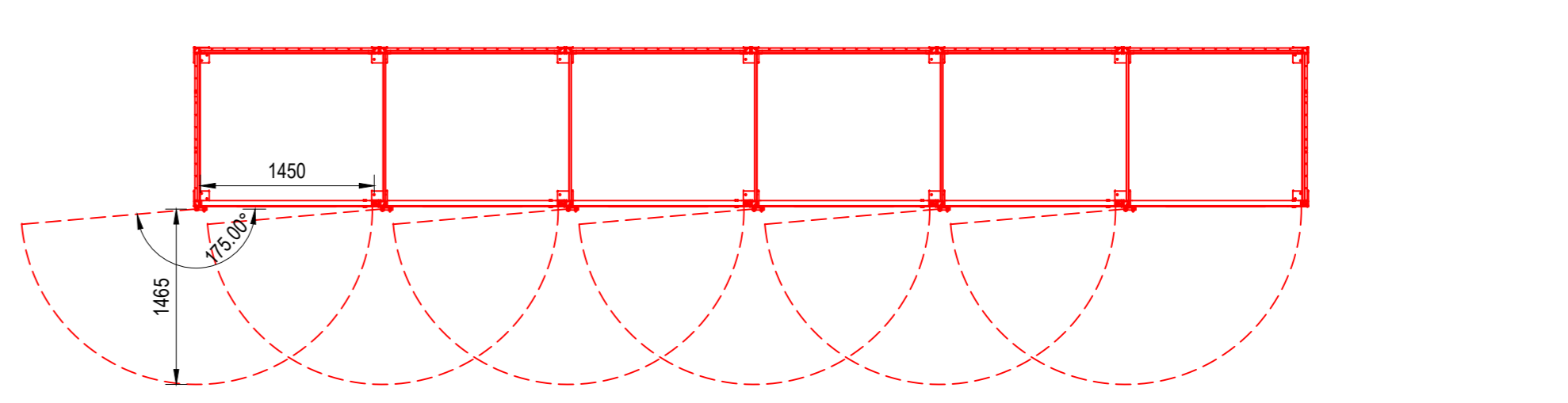
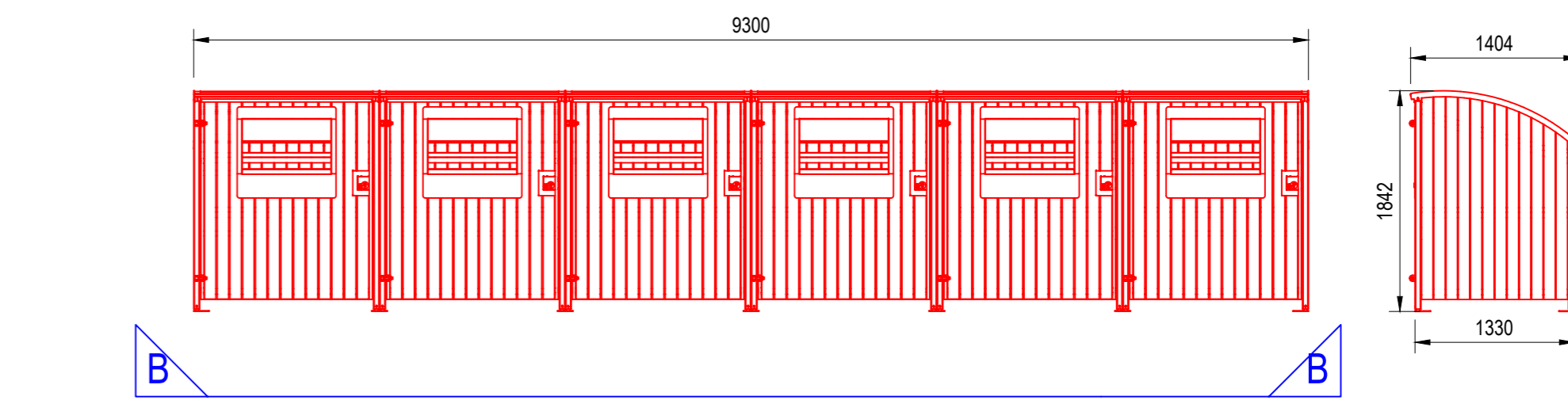
1:50@A0



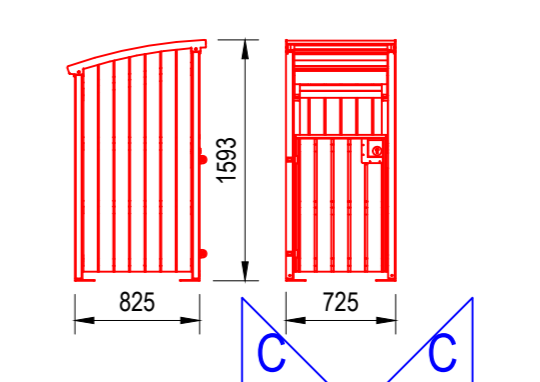
This drawing has been prepared for the use of AECOM's client. It may not be used, modified, reproduced or relied upon by third parties, except as agreed by AECOM or as required by law. AECOM accepts no responsibility, and denies any liability, whatsoever, to any party that uses or relies on this drawing without AECOM's express written consent. Do not scale this document. All measurements must be obtained from the stated dimensions.



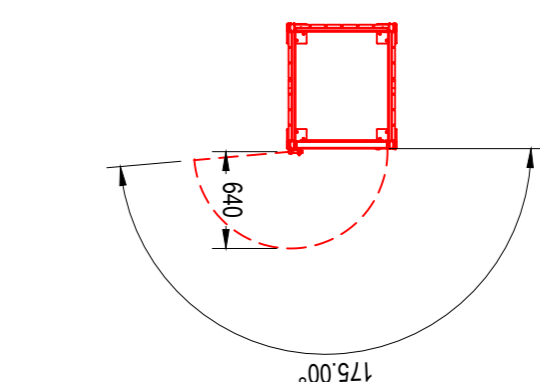
1:50@A0



1:50@A0

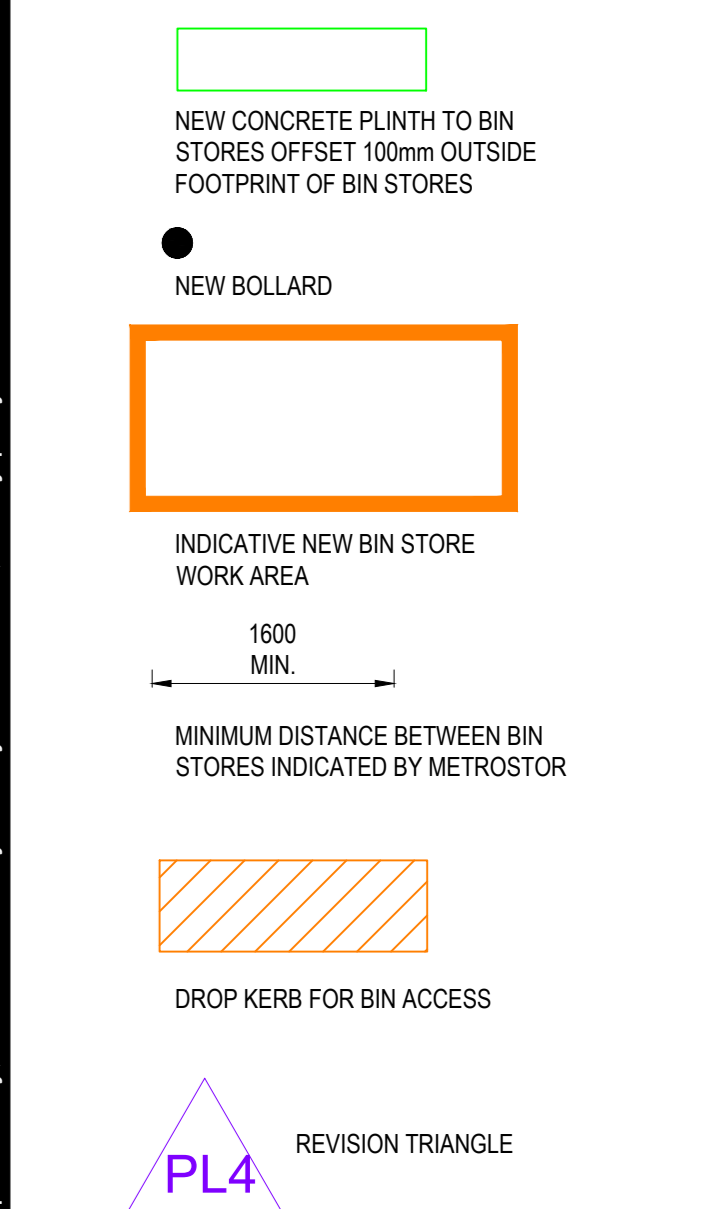


1:50@A0



1:50@A0

- NOTES**
1. THIS DRAWING IS TO BE READ IN CONJUNCTION WITH ALL OTHER RELEVANT DOCUMENTATION.
 2. DO NOT SCALE FROM THIS DRAWING. USE ONLY PRINTED DIMENSIONS.
 3. ALL DIMENSIONS IN MILLIMETRES. ALL CHAINAGES, LEVELS AND COORDINATES ARE IN METRES UNLESS DEFINED OTHERWISE.
 4. THIS DRAWING IS TO BE READ IN CONJUNCTION WITH THE PROJECT HEALTH & SAFETY FILE FOR ANY IDENTIFIED POTENTIAL RISKS.
 5. THIS DRAWING MUST BE PRINTED IN COLOUR.



PLANNING APPLICATION	ISSUED	FOR CLIENT'S COMMENTS	FOR CLIENT'S COMMENTS	FOR CLIENT'S COMMENTS	FOR CLIENT'S COMMENTS	FOR CLIENT'S COMMENTS	FOR CLIENT'S COMMENTS	FOR CLIENT'S COMMENTS	FOR CLIENT'S COMMENTS
MOAT	07/10/2020	PL.4							
MOAT	28/09/2020	PL.3							
MOAT	09/06/2020	PL.2							
MOAT	15/10/19	PL.1							
MOAT	22/05/19	PL.0-2							

ISSUE/REVISION

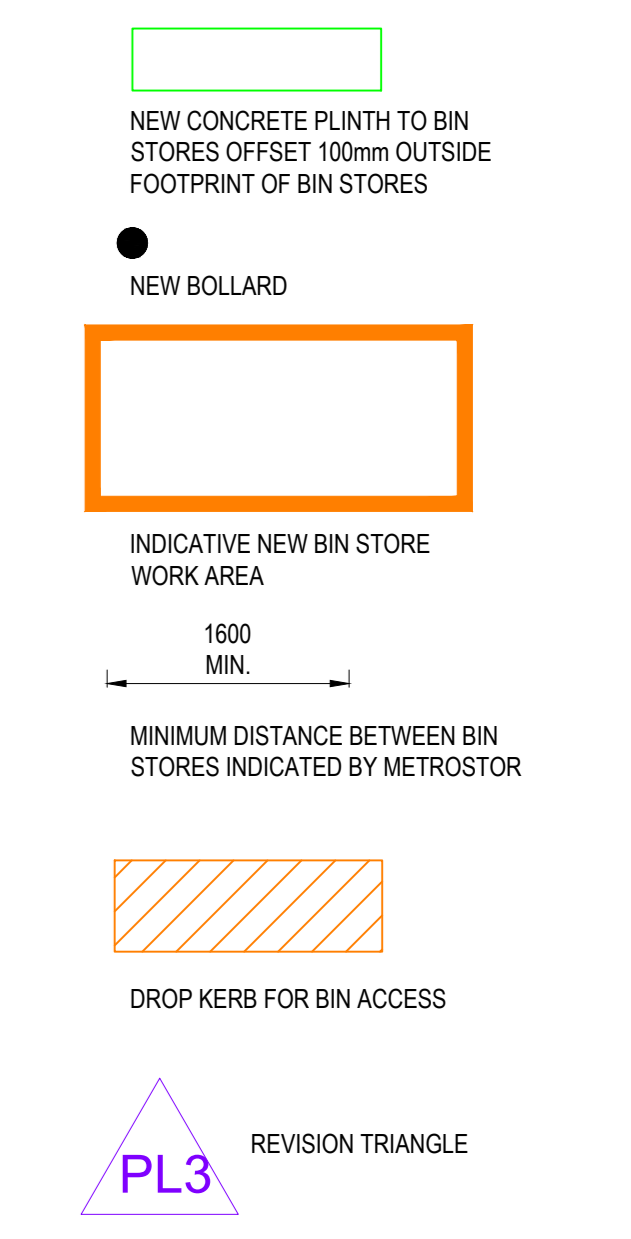
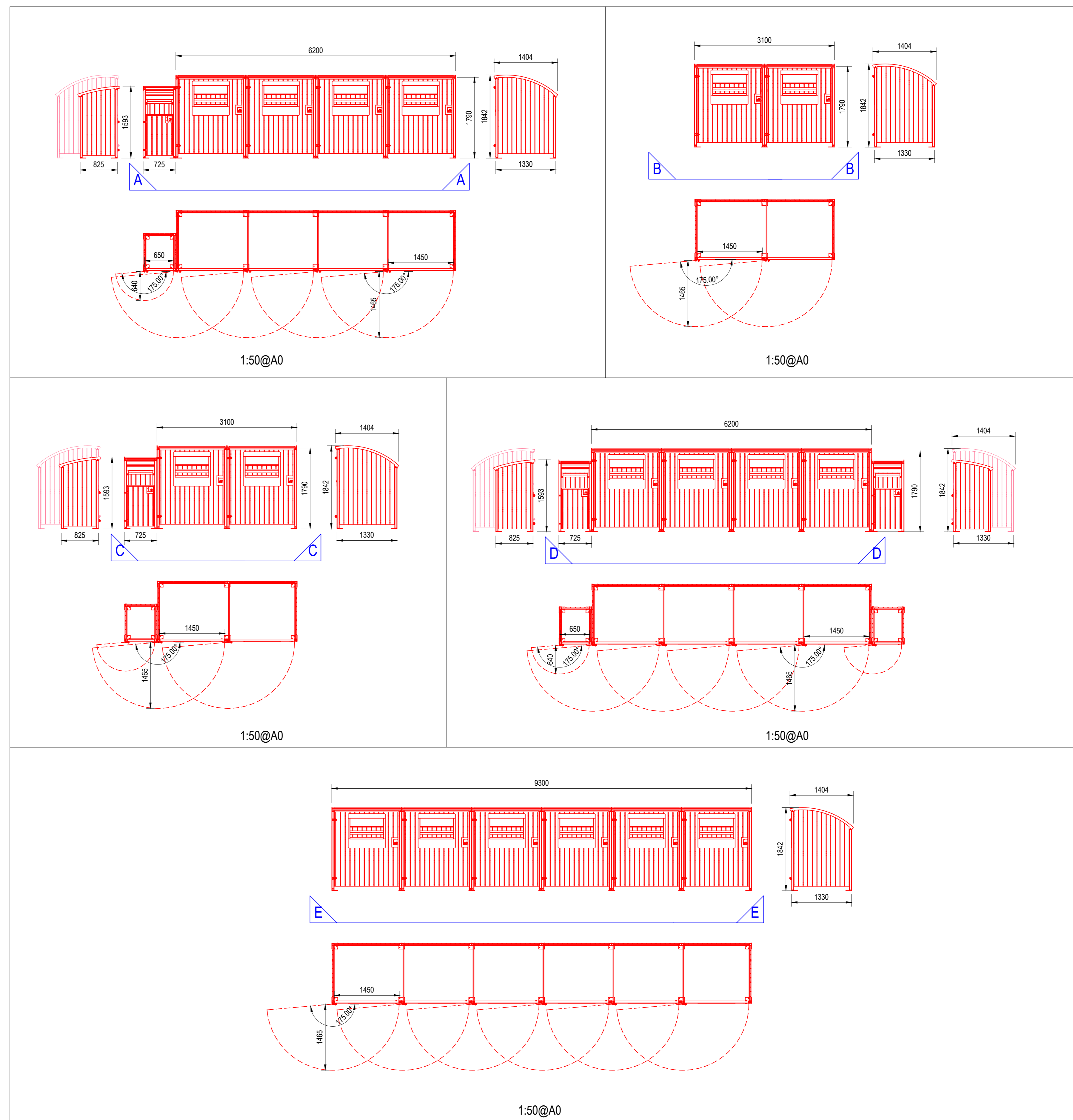
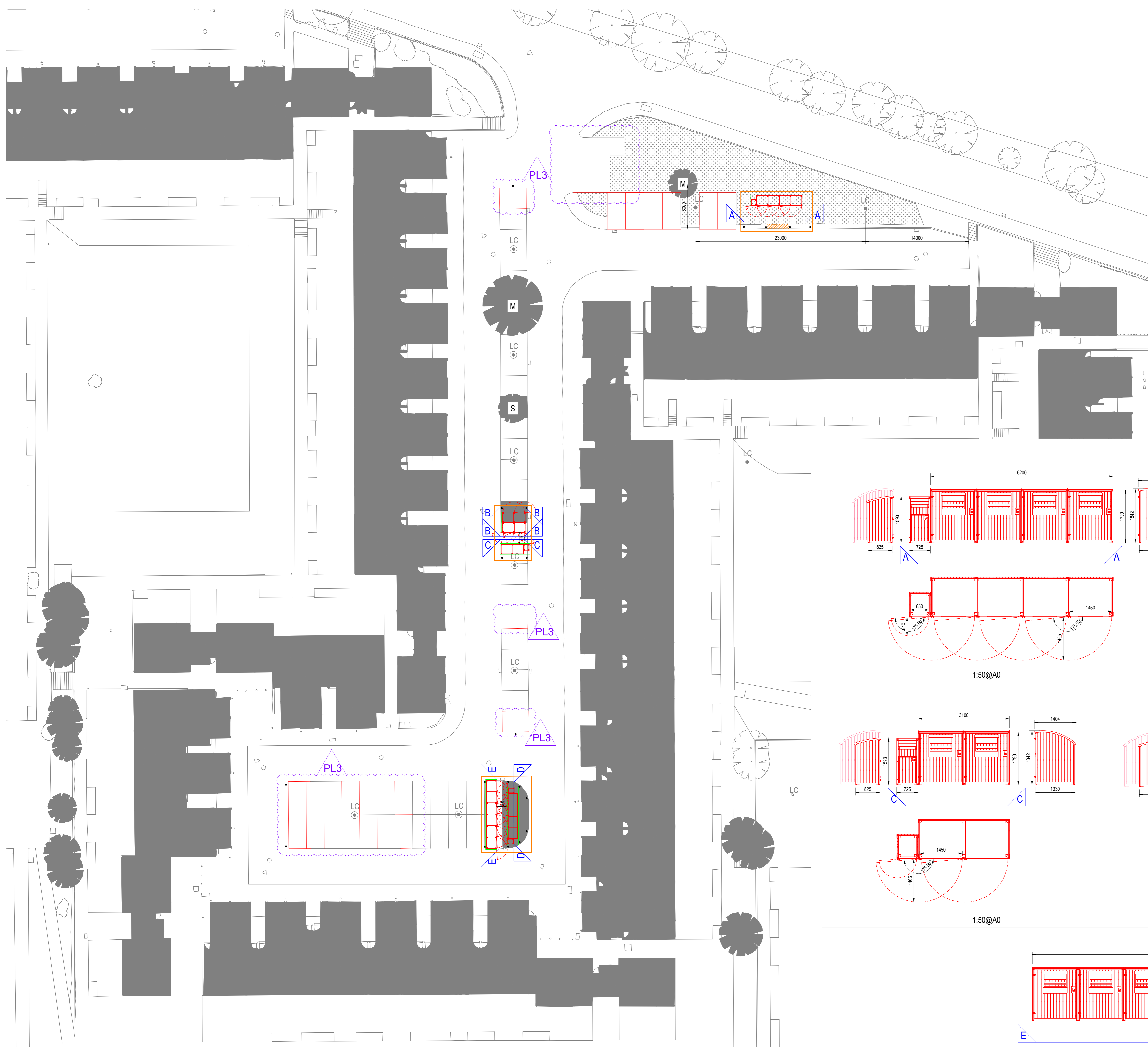
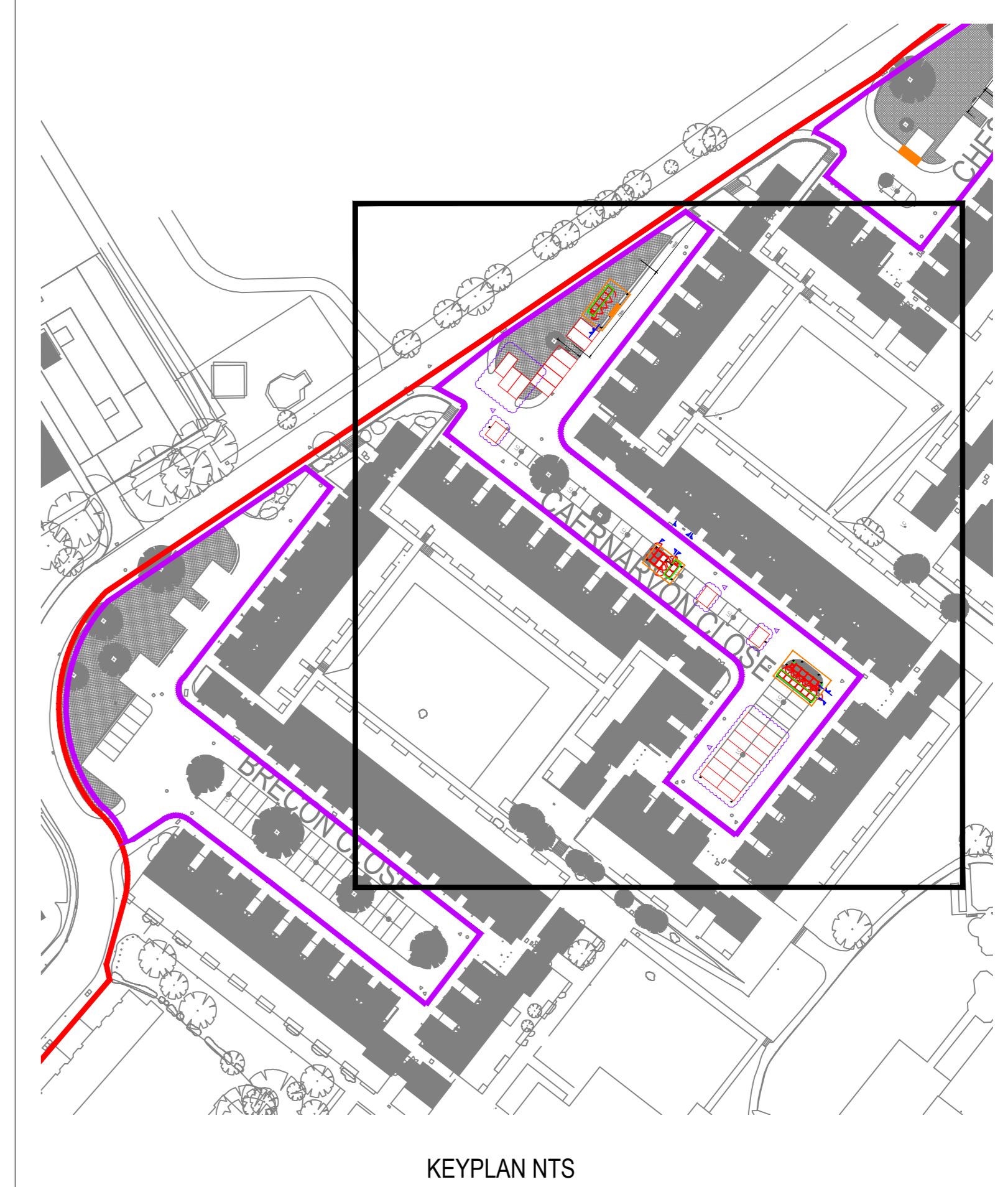
SCALE 1:200@A0

PROJECT NUMBER
 60519374

SHEET TITLE
 BRECON CLOSE EXISTING
 PROPOSED BIN STORE LOCATIONS

SHEET NUMBER
 60519374_BRECON CLOSE_003_REV_PL4

- NOTES**
1. THIS DRAWING IS TO BE READ IN CONJUNCTION WITH ALL OTHER RELEVANT DOCUMENTATION.
 2. DO NOT SCALE FROM THIS DRAWING. USE ONLY PRINTED DIMENSIONS.
 3. ALL DIMENSIONS IN MILLIMETRES; ALL CHAINAGES, LEVELS AND COORDINATES ARE IN METRES UNLESS DEFINED OTHERWISE.
 4. THIS DRAWING IS TO BE READ IN CONJUNCTION WITH THE PROJECT HEALTH & SAFETY FILE FOR ANY IDENTIFIED POTENTIAL RISKS.
 5. THIS DRAWING MUST BE PRINTED IN COLOUR.



DESCRIPTION	DATE	BY	CHKD	APPD
PLANNING APPLICATION	07/10/2020	GM	KT	VC
INCORPORATING CLIENT'S COMMENTS	07/10/2020	GM	KT	VC
PLANNING APPLICATION	09/10/2020	GM	KT	VC
BOLLARDS POSITION REVIEW	09/10/2020	GM	KT	VC
PLANNING APPLICATION	15/10/19	GM	KT	VC
DRAFT PLANNING APPLICATION FOR COMMENT	22/05/19	GM	KT	VC
DESCRIPTION		SA	XX	XX

ISSUE/REVISION

SCALE 1:200@A0

PROJECT NUMBER
 60519374

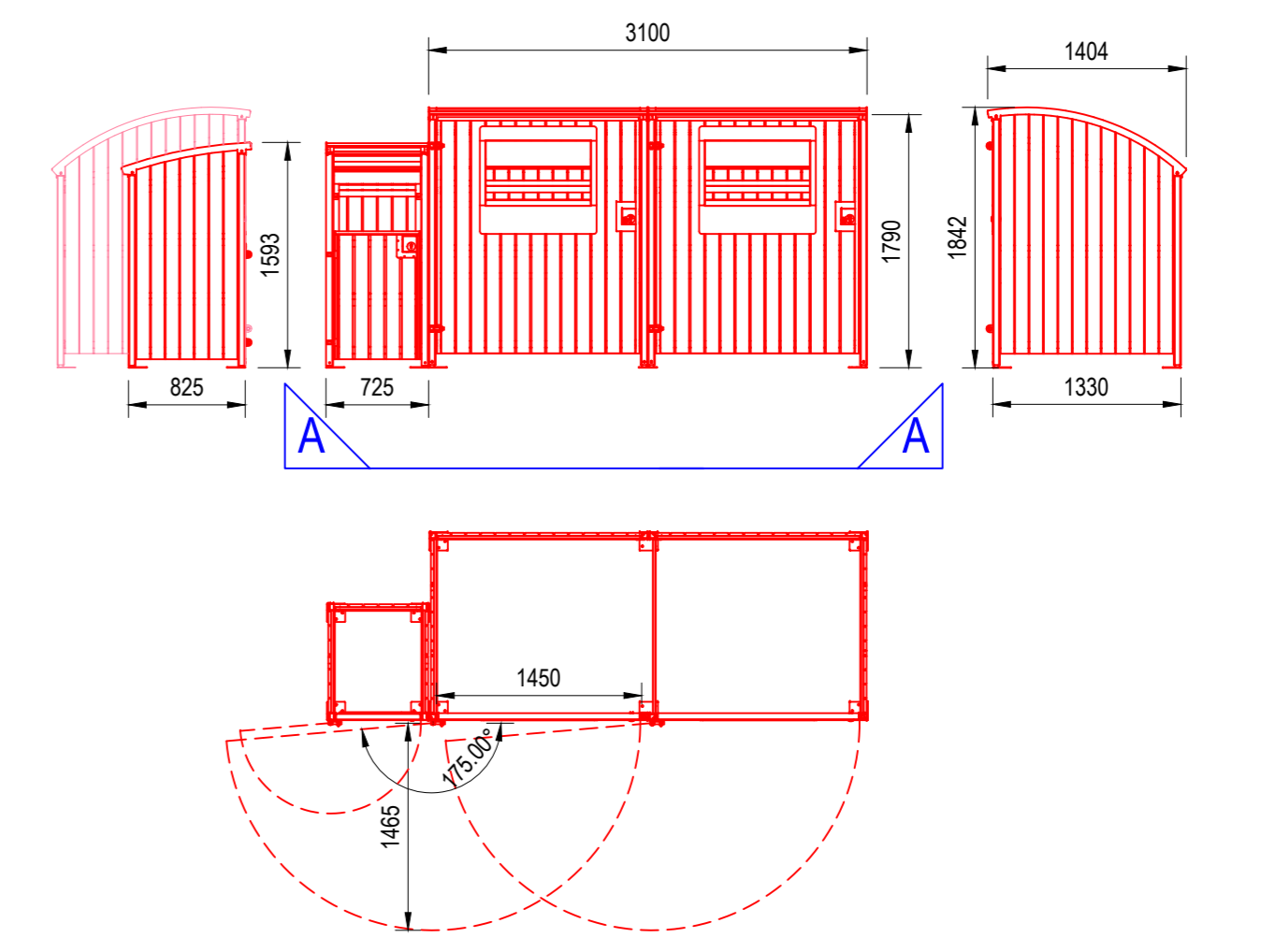
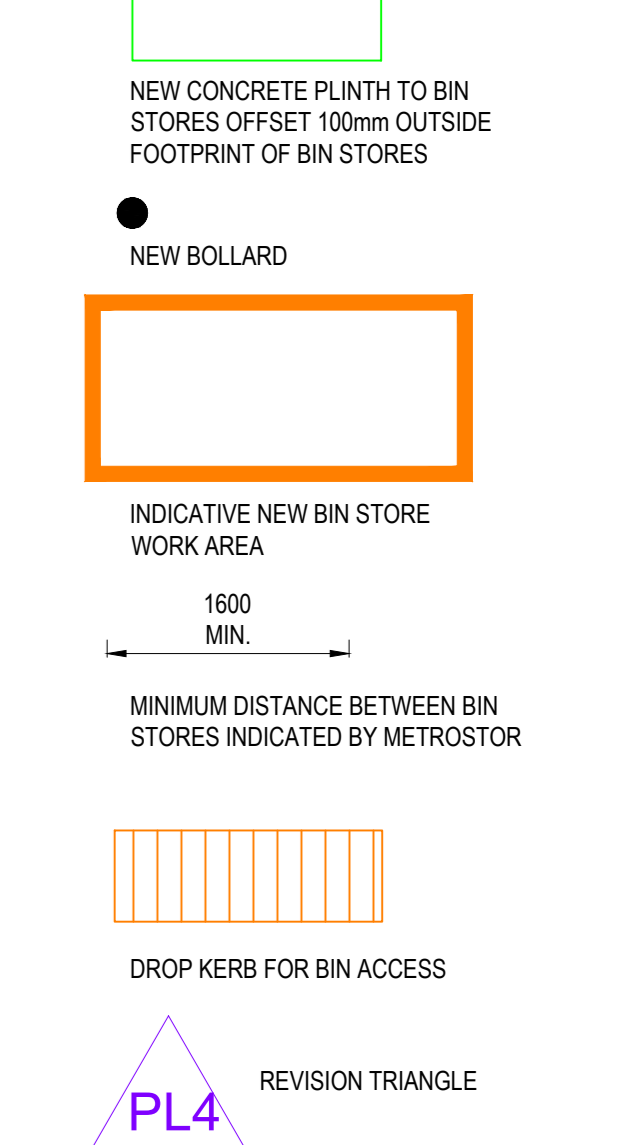
SHEET TITLE
 CAENARVON CLOSE
 PROPOSED BIN STORE LOCATIONS

SHEET NUMBER
 60519374_CAENARVON_CLOSE_002_REV_PL3

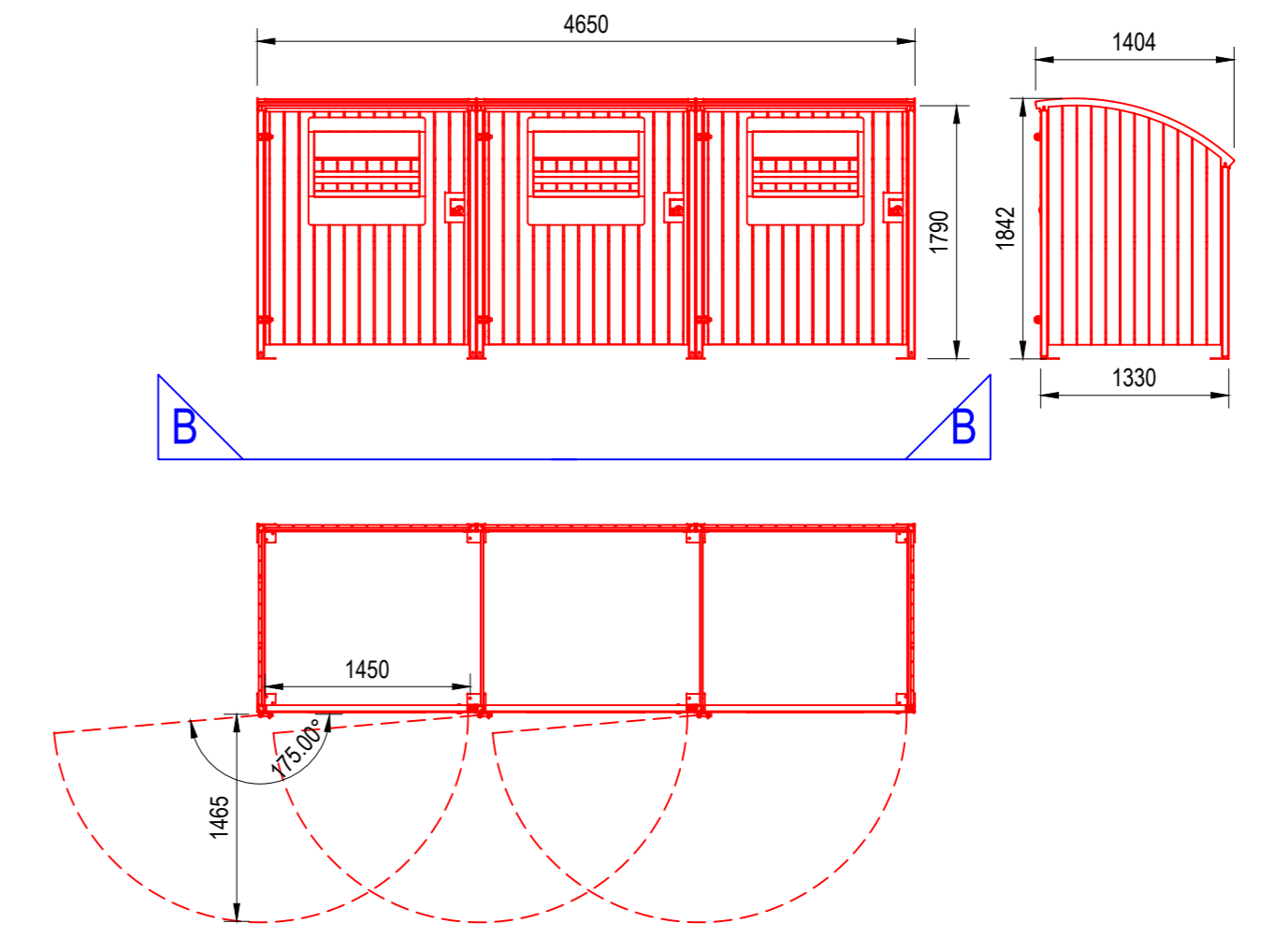
- NOTES
1. THIS DRAWING IS TO BE READ IN CONJUNCTION WITH ALL OTHER RELEVANT DOCUMENTATION.
 2. DO NOT SCALE FROM THIS DRAWING. USE ONLY PRINTED DIMENSIONS.
 3. ALL DIMENSIONS IN MILLIMETRES, ALL CHAINAGES, LEVELS AND COORDINATES ARE IN METRES UNLESS DEFINED OTHERWISE.
 4. THIS DRAWING IS TO BE READ IN CONJUNCTION WITH THE PROJECT HEALTH & SAFETY FILE FOR ANY IDENTIFIED POTENTIAL RISKS.
 5. THIS DRAWING MUST BE PRINTED IN COLOUR.



KEYPLAN NTS



1:50@A0



1:50@A0

NO.	DATE	BY	CHKD BY	DESCRIPTION
1	07/10/2020	PL4		PLANNING APPLICATION FOR CLIENT'S COMMENTS
2	20/09/2020	PL3		PLANNING APPLICATION BOLLARDS & BIN STORE POSITION REVIEW
3	09/09/2020	PL2		PLANNING APPLICATION
4	15/10/19	PL1		DRAFT PLANNING APPLICATION FOR COMMENT
5	22/05/19	PL0		DESCRIPTION

ISSUE/REVISION

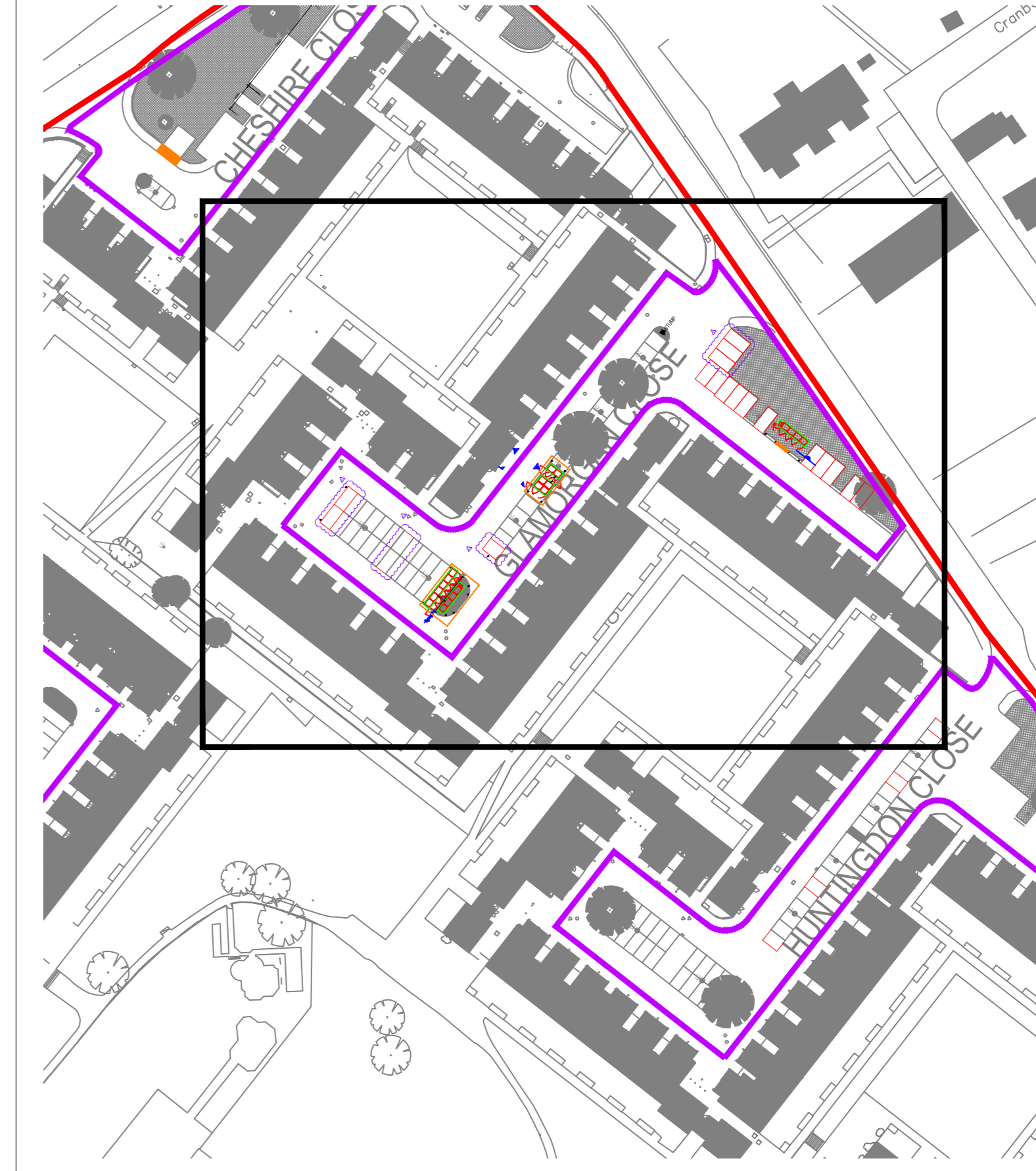
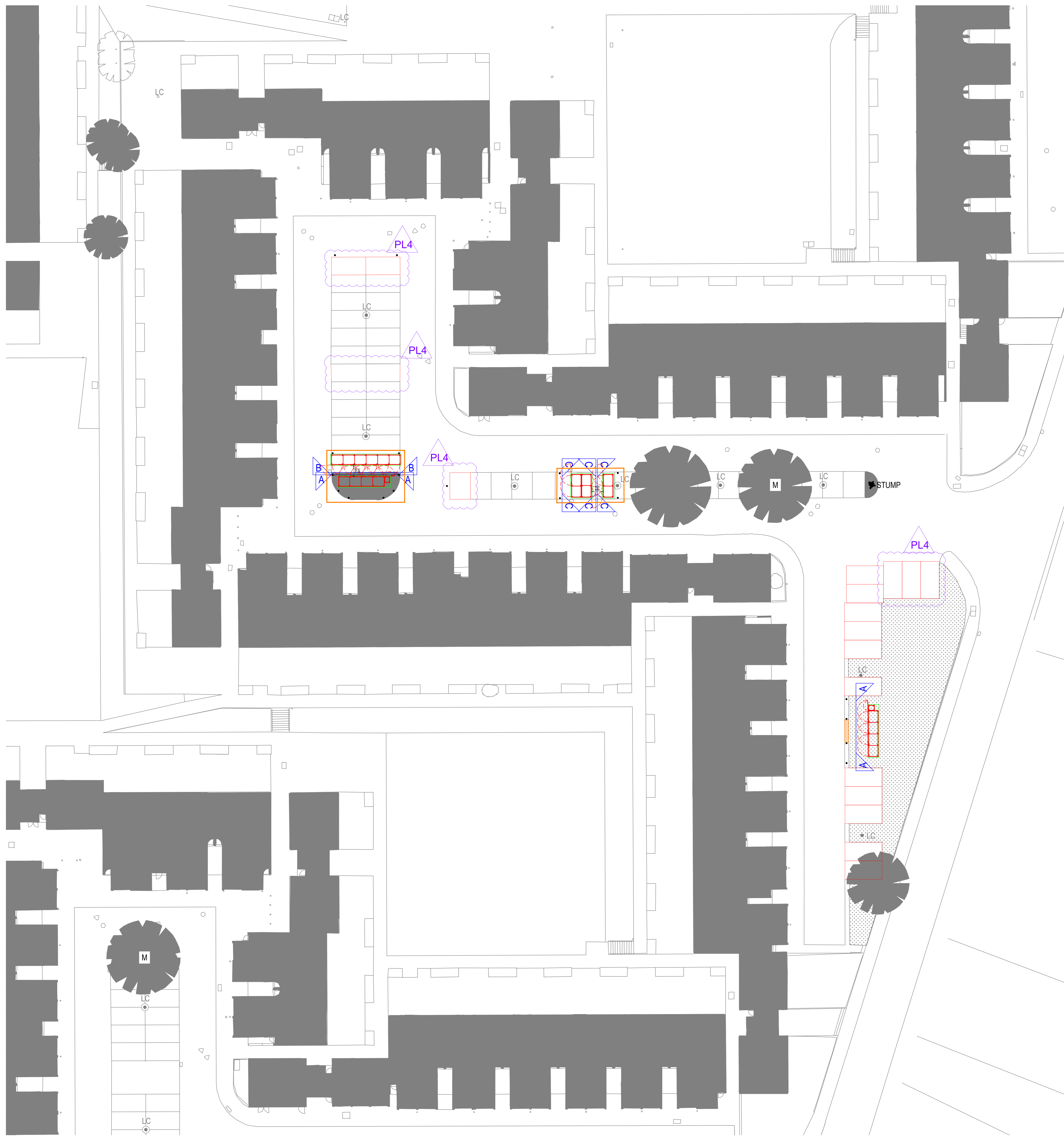
SCALE 1:200@A0

PROJECT NUMBER
 60519374

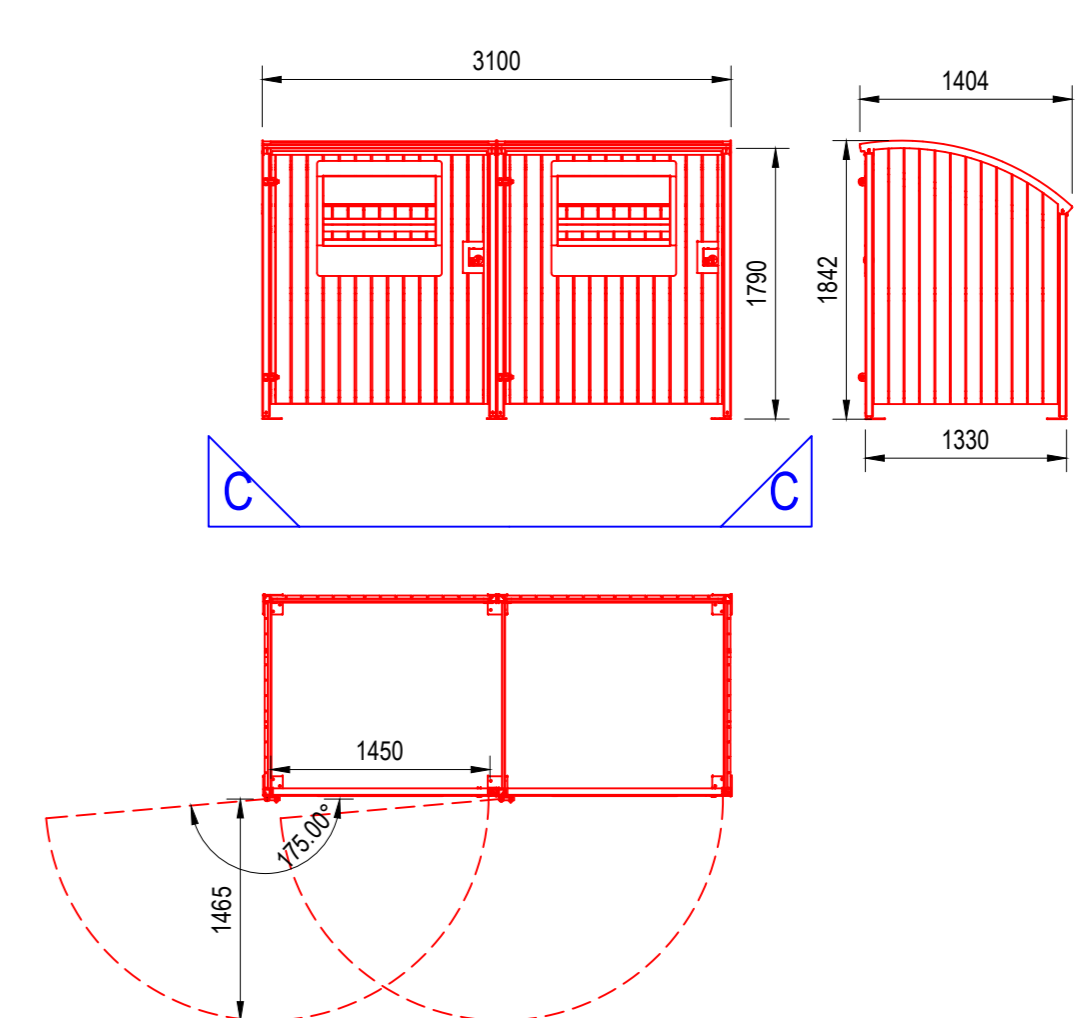
SHEET TITLE
 CHESHIRE CLOSE
 PROPOSED BIN STORE LOCATIONS

SHEET NUMBER
 60519374_CHESHIRE CLOSE_002_REV_PL4

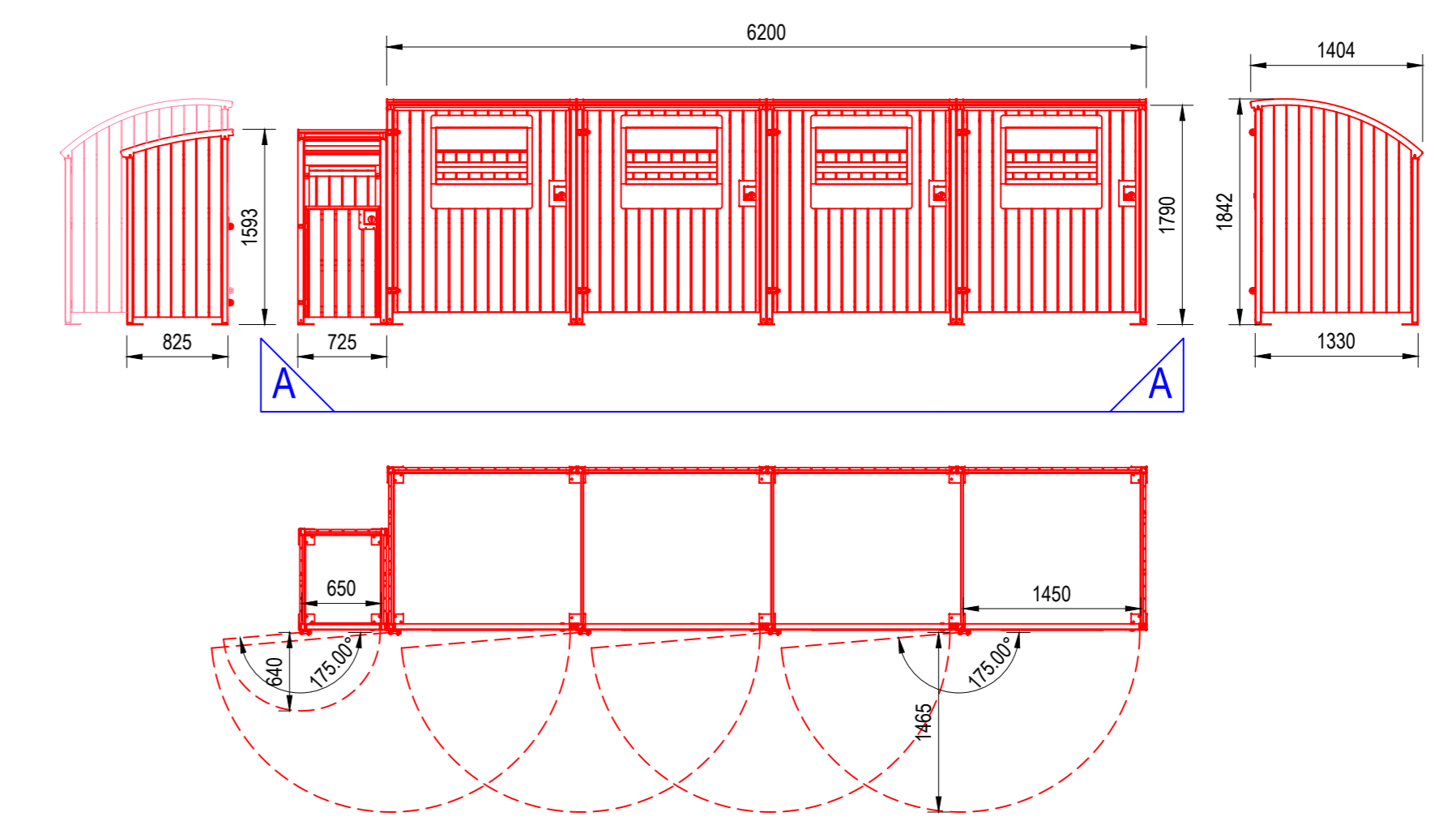




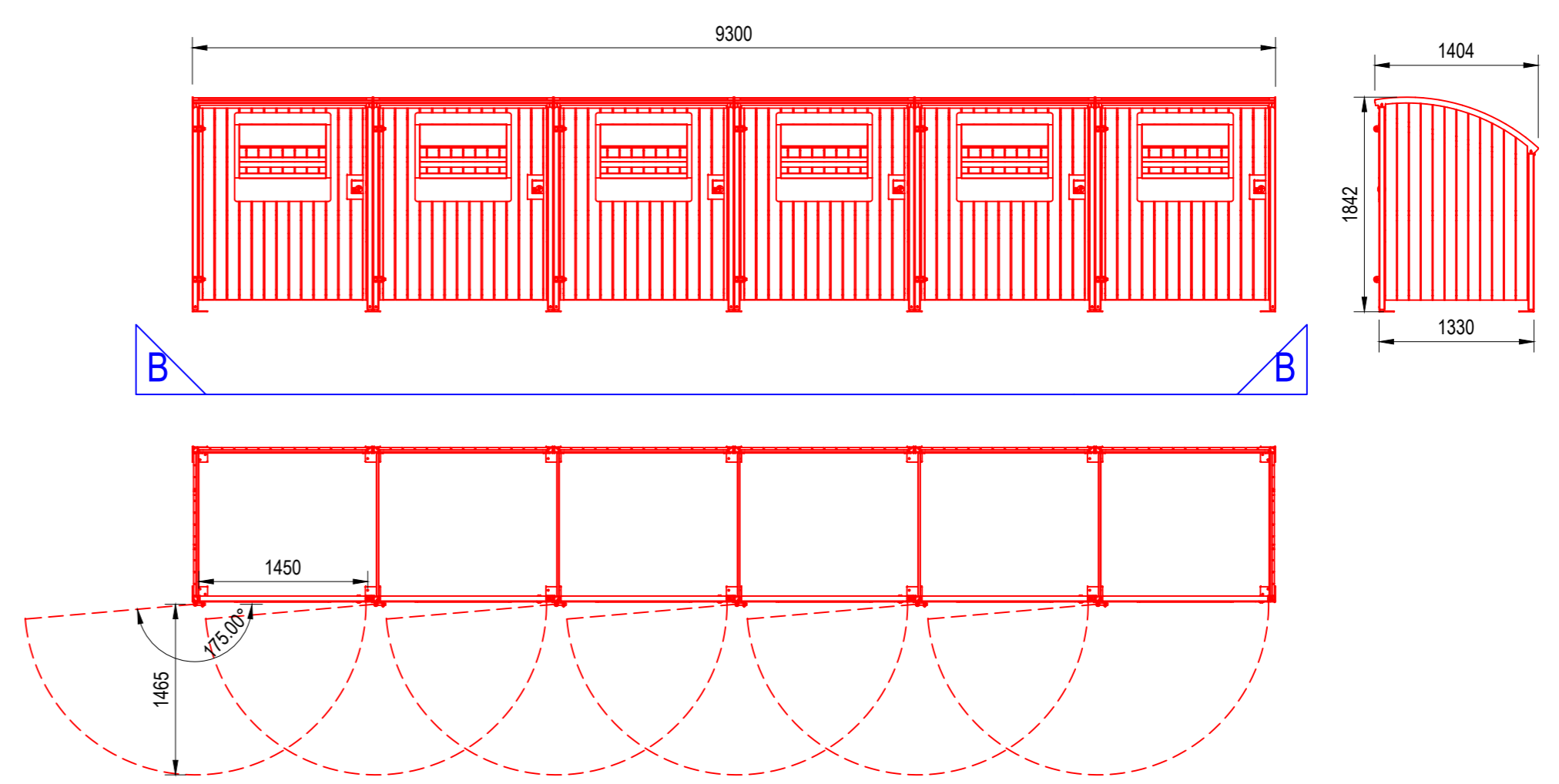
KEYPLAN NTS



1:50@A0



1:50@A0



1:50@A0

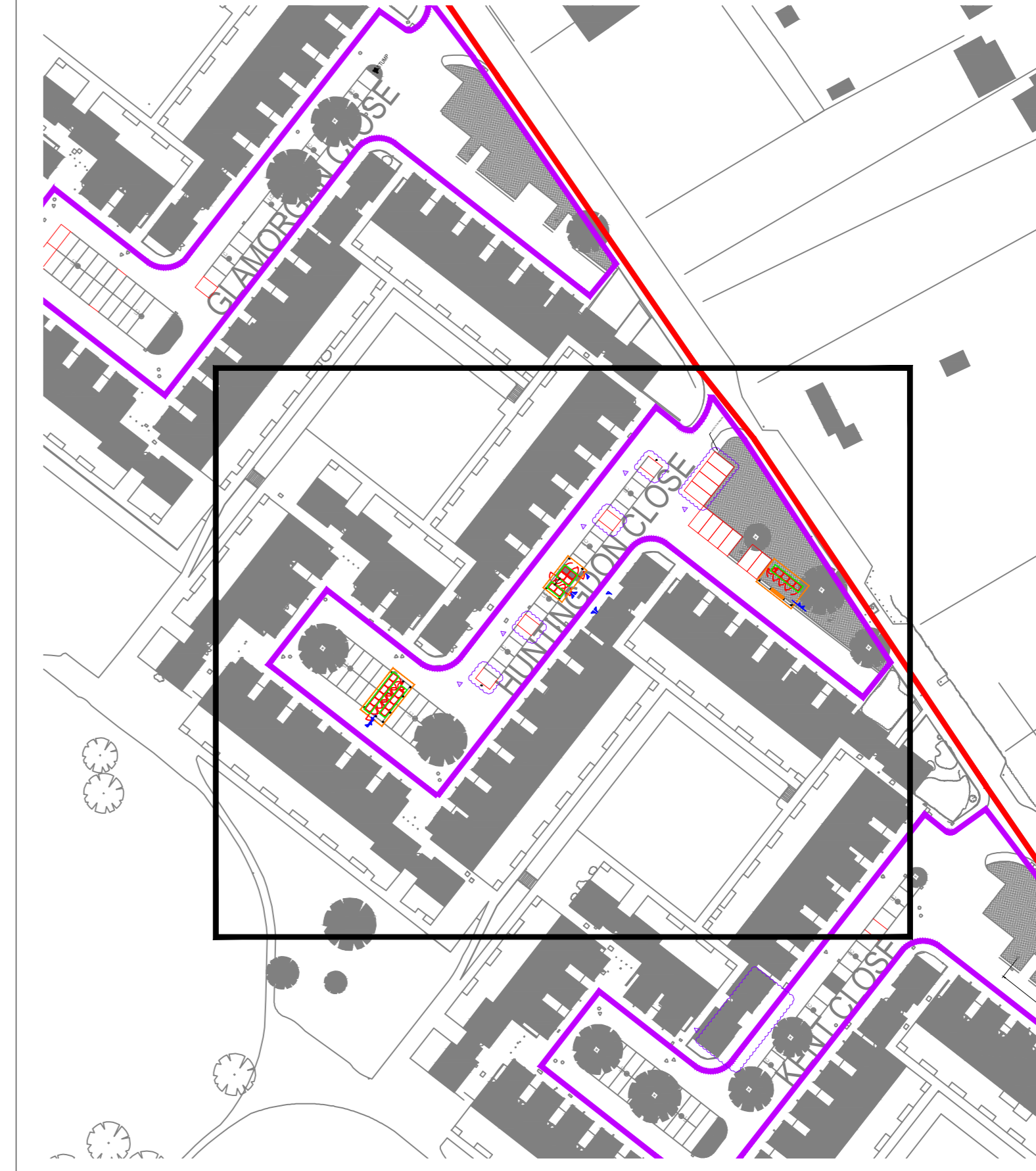
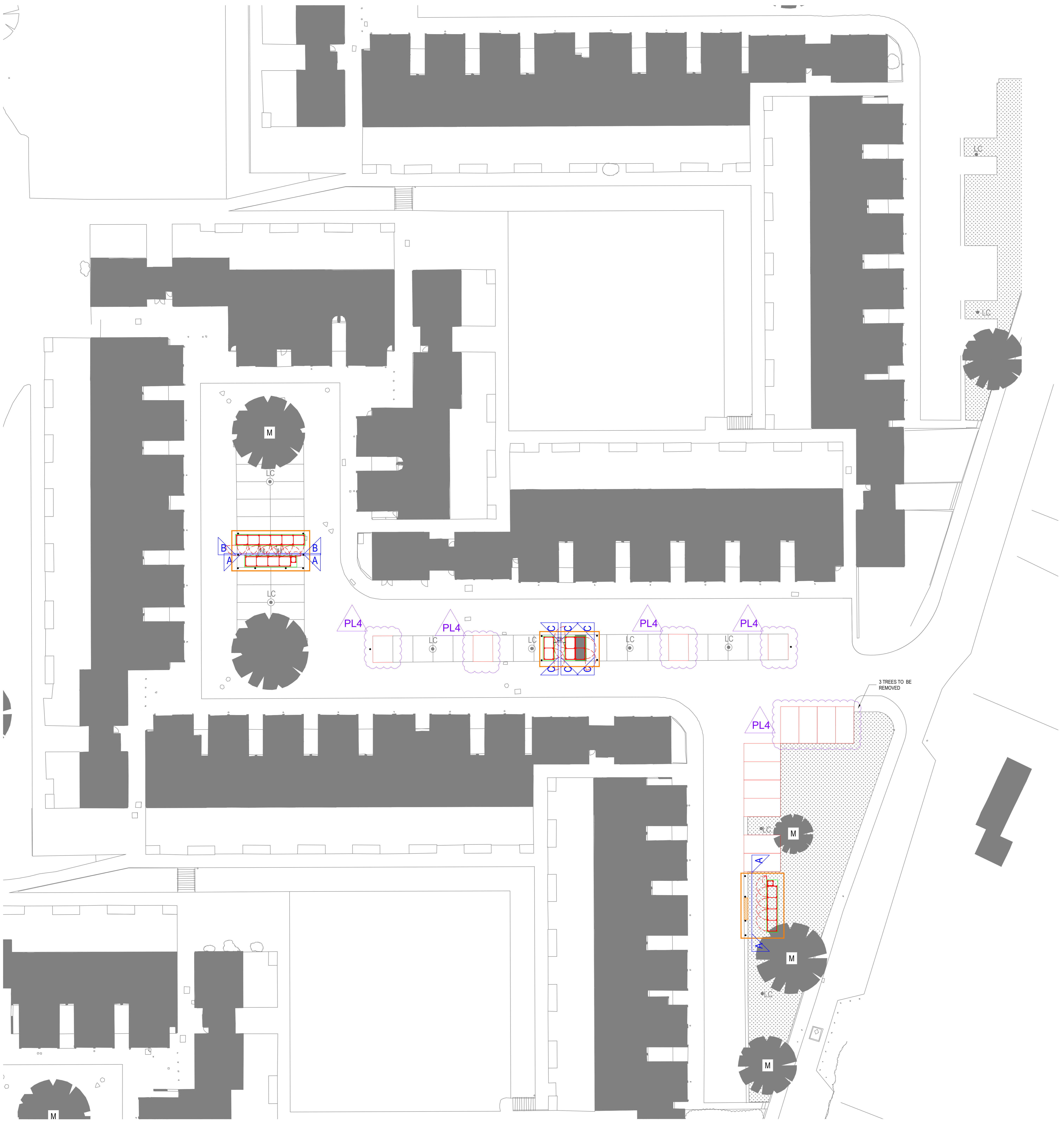
- NOTES
1. THIS DRAWING IS TO BE READ IN CONJUNCTION WITH ALL OTHER RELEVANT DOCUMENTATION.
 2. DO NOT SCALE FROM THIS DRAWING. USE ONLY PRINTED DIMENSIONS.
 3. ALL DIMENSIONS IN MILLIMETRES; ALL CHAINAGES, LEVELS AND COORDINATES ARE IN METRES UNLESS DEFINED OTHERWISE.
 4. THIS DRAWING IS TO BE READ IN CONJUNCTION WITH THE PROJECT HEALTH & SAFETY FILE FOR ANY IDENTIFIED POTENTIAL RISKS.
 5. THIS DRAWING MUST BE PRINTED IN COLOUR.

- NEW CONCRETE PLINTH TO BIN STORES OFFSET 100mm OUTSIDE FOOTPRINT OF BIN STORES
- NEW BOLLARD
- INDICATIVE NEW BIN STORE WORK AREA
- MINIMUM DISTANCE BETWEEN BIN STORES INDICATED BY METROSTOR
- DROP KERB FOR BIN ACCESS
- PL4 REVISION TRIANGLE

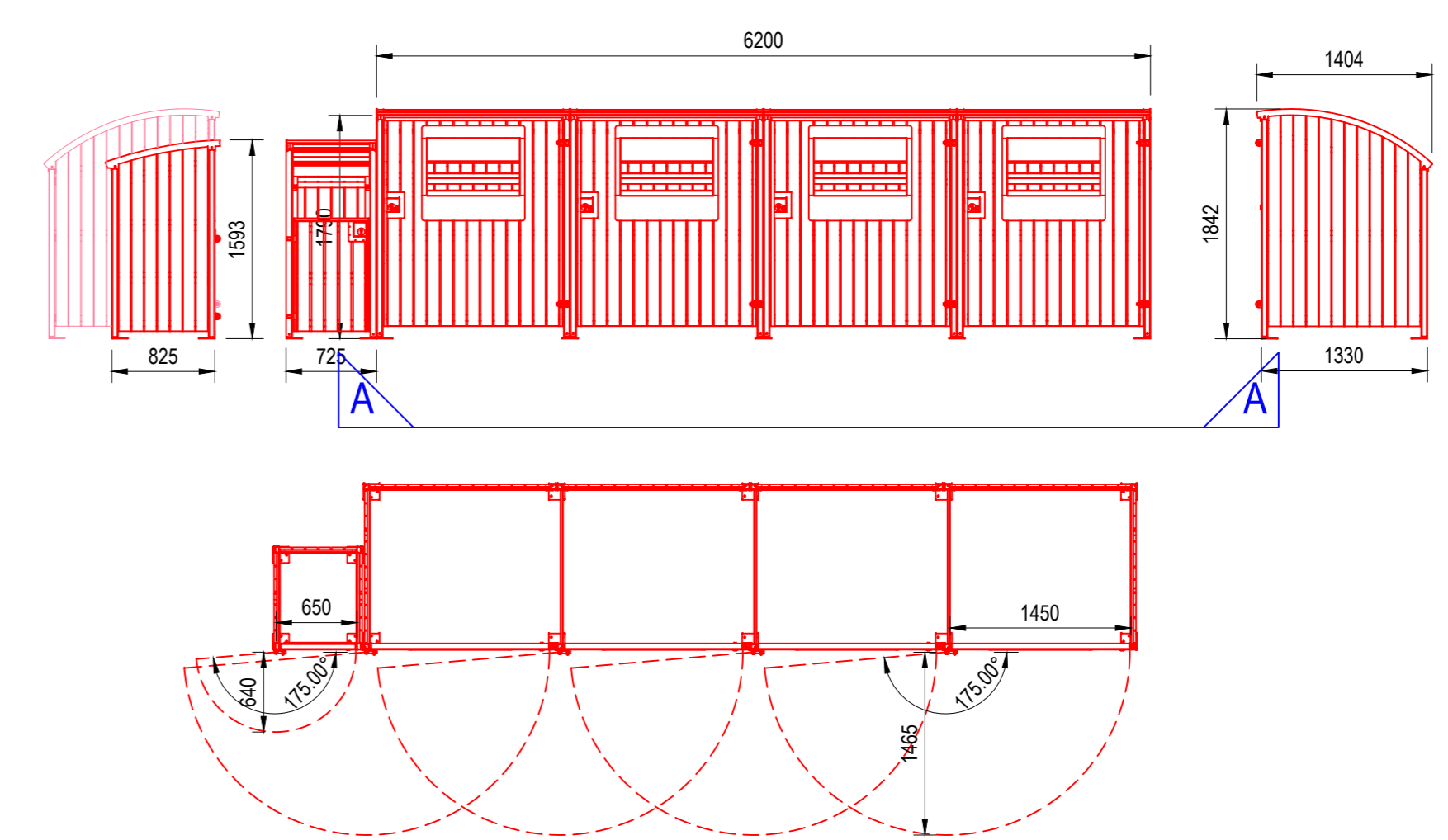
PLANNING APPLICATION	ISSUE/REVISION	DATE	DESCRIPTION
INCORPORATING CLIENT'S COMMENTS	RE	07/10/2020	PL.4
PLANNING APPLICATION ISSUED FOR CLIENT'S COMMENTS	GF	28/09/2020	PL.3
PLANNING APPLICATION BOLLARDS POSITION REVIEW	RE	09/09/2020	PL.2
PLANNING APPLICATION	GF	15/10/19	PL.1
DRAFT PLANNING APPLICATION FOR COMMENT	JC	22/05/19	PL.0-3

SCALE 1:200@A0

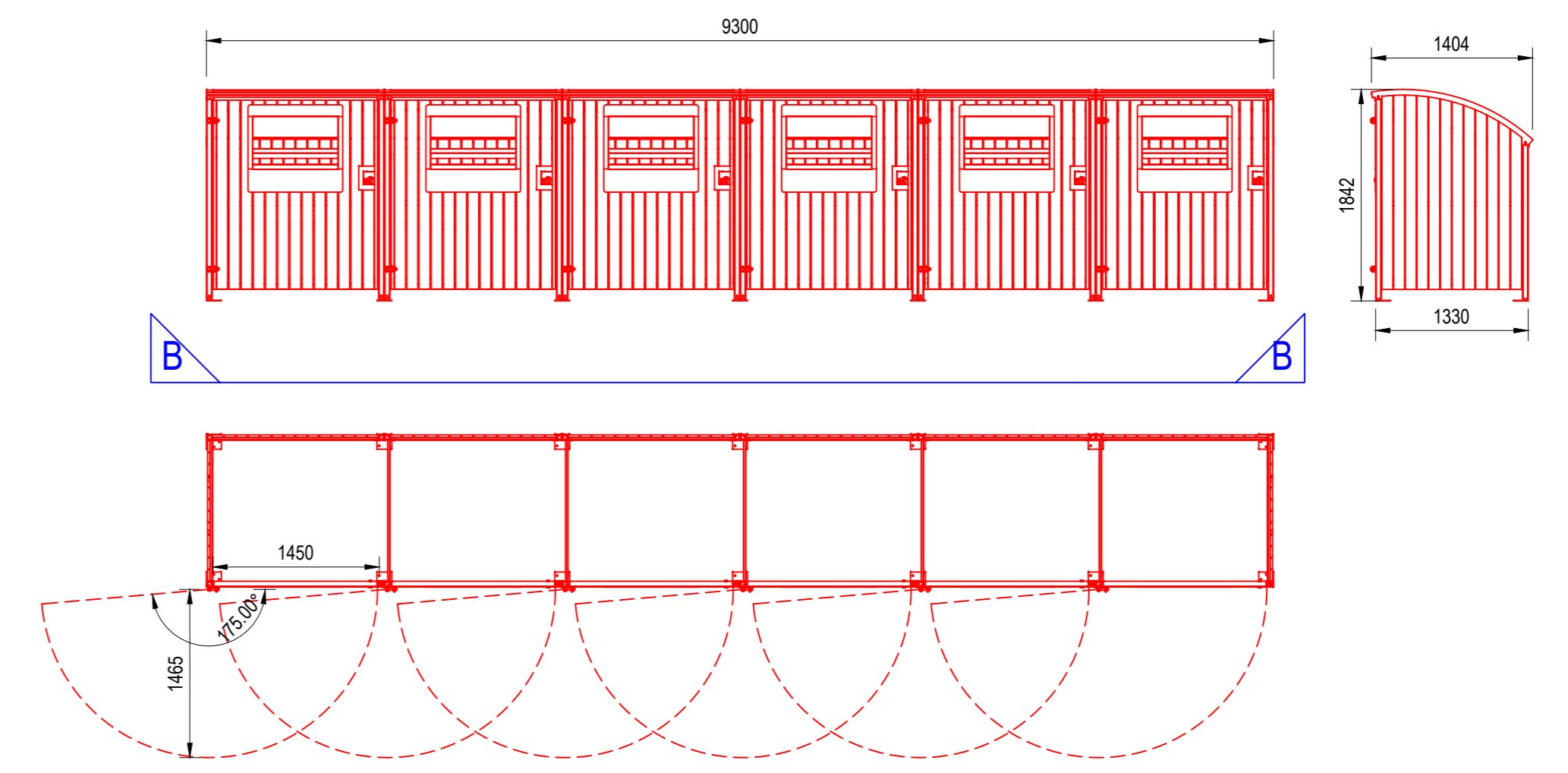
PROJECT NUMBER
 60519374
 SHEET TITLE
 GLAMORGAN CLOSE
 PROPOSED BIN STORE
 LOCATIONS
 SHEET NUMBER
 60519374_GLAMORGAN CLOSE_002_REV_PL4



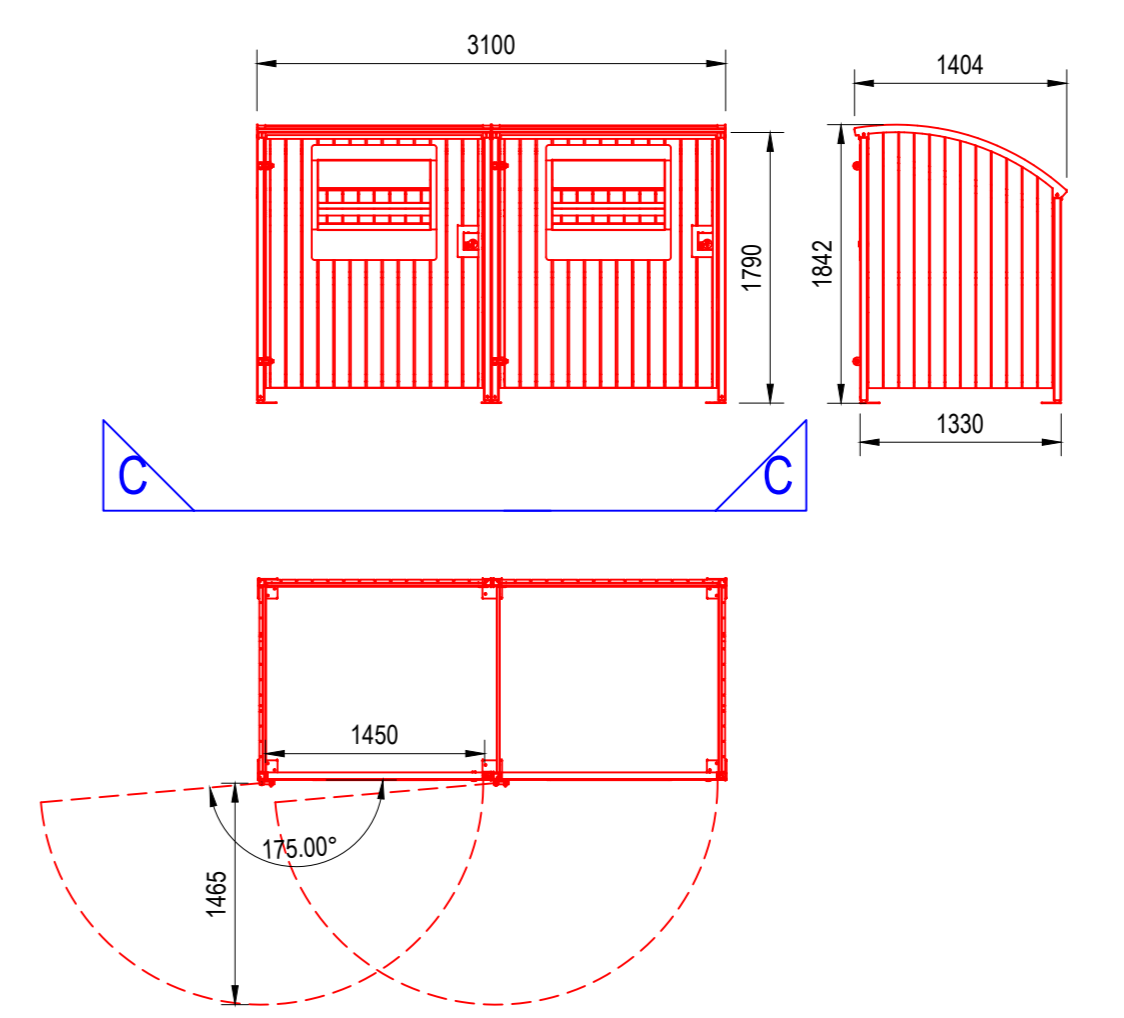
KEYPLAN NTS



1:50@A0



1:50@A0



1:50@A0

- NOTES
1. THIS DRAWING IS TO BE READ IN CONJUNCTION WITH ALL OTHER RELEVANT DOCUMENTATION.
 2. DO NOT SCALE FROM THIS DRAWING. USE ONLY PRINTED DIMENSIONS.
 3. ALL DIMENSIONS IN MILLIMETRES; ALL CHAINAGES, LEVELS AND COORDINATES ARE IN METRES UNLESS DEFINED OTHERWISE.
 4. THIS DRAWING IS TO BE READ IN CONJUNCTION WITH THE PROJECT HEALTH & SAFETY FILE FOR ANY IDENTIFIED POTENTIAL RISKS.
 5. THIS DRAWING MUST BE PRINTED IN COLOUR.

- NEW CONCRETE PLINTH TO BIN STORES OFFSET 100mm OUTSIDE FOOTPRINT OF BIN STORES
- NEW BOLLARD
- INDICATIVE NEW BIN STORE WORK AREA
- 1600 MIN.
- MINIMUM DISTANCE BETWEEN BIN STORES INDICATED BY METROSTOR
- DROP KERB FOR BIN ACCESS
- PL4 REVISION TRIANGLE

PLANNING APPLICATION	ISSUE	DATE	REVISION
INCORPORATING CLIENT'S COMMENTS	GF	MOAT	07/10/2020 PL.4
PLANNING APPLICATION ISSUED FOR CLIENT'S COMMENTS	GF	MOAT	29/09/2020 PL.3
PLANNING APPLICATION	GM	MOAT	03/06/2020 PL.2
BOLLARDS POSITION REVIEW	RE	OL	15/10/19 PL.1
PLANNING APPLICATION	GM	KT	22/05/19 PL.0-2
DRAFT PLANNING APPLICATION FOR COMMENT	JC	VC	
DESCRIPTION	SA	XX	

ISSUE/REVISION

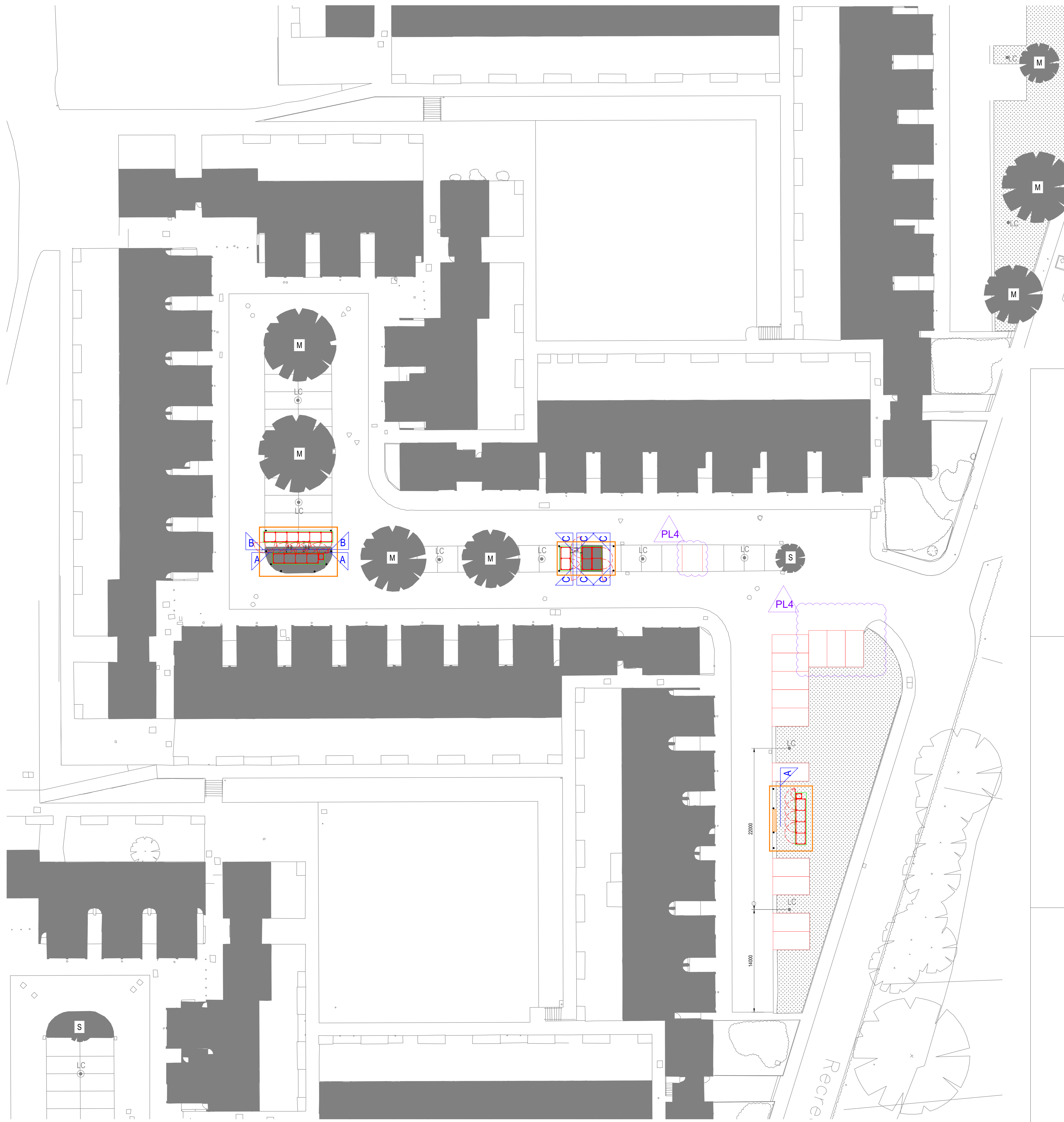
SCALE 1:200@A0

PROJECT NUMBER
 60519374

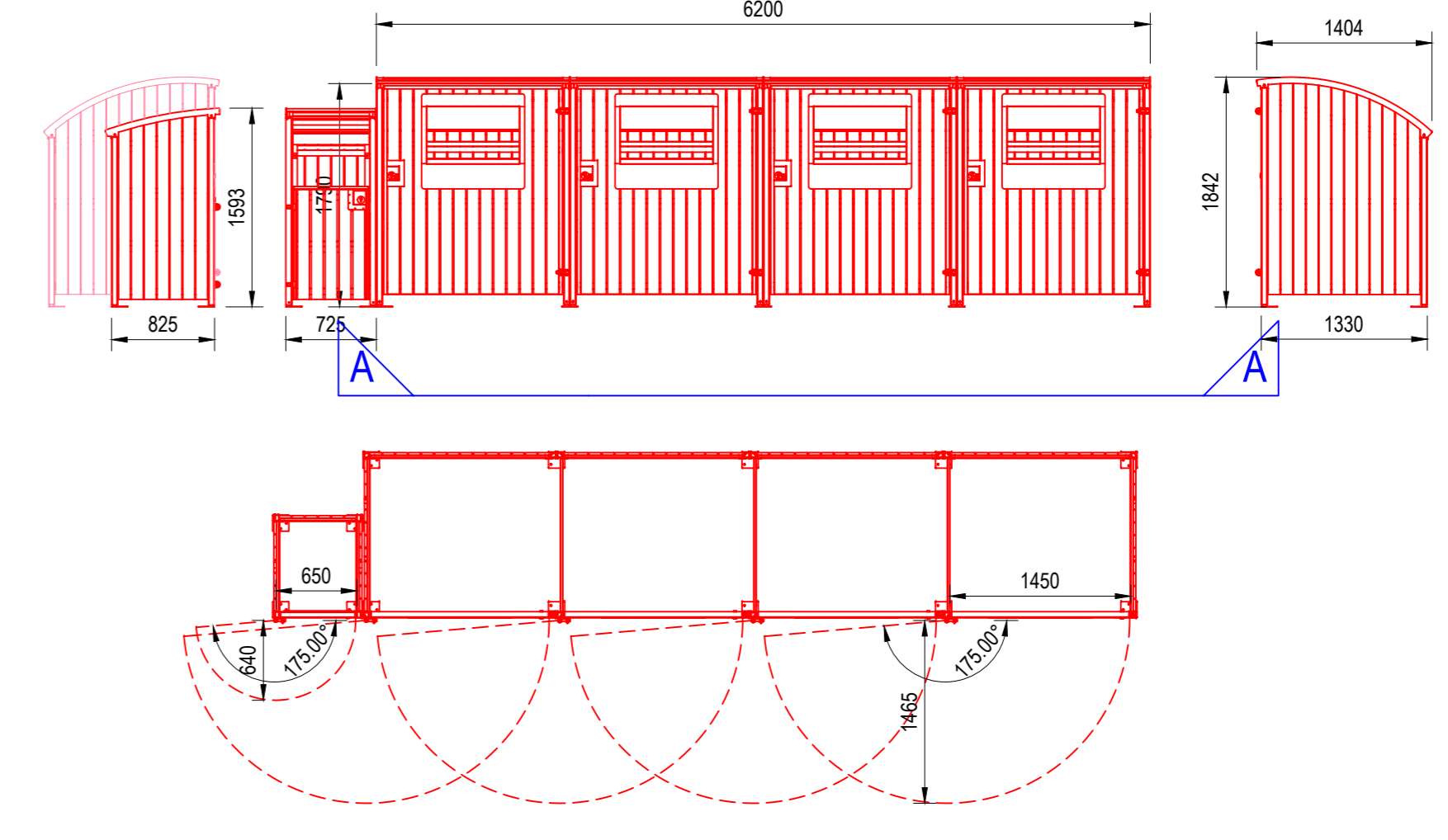
SHEET TITLE
 HUNTINGDON CLOSE
 PROPOSED BIN STORE LOCATIONS

SHEET NUMBER
 60519374_HUNTINGDON CLOSE_002_REV_PL_4

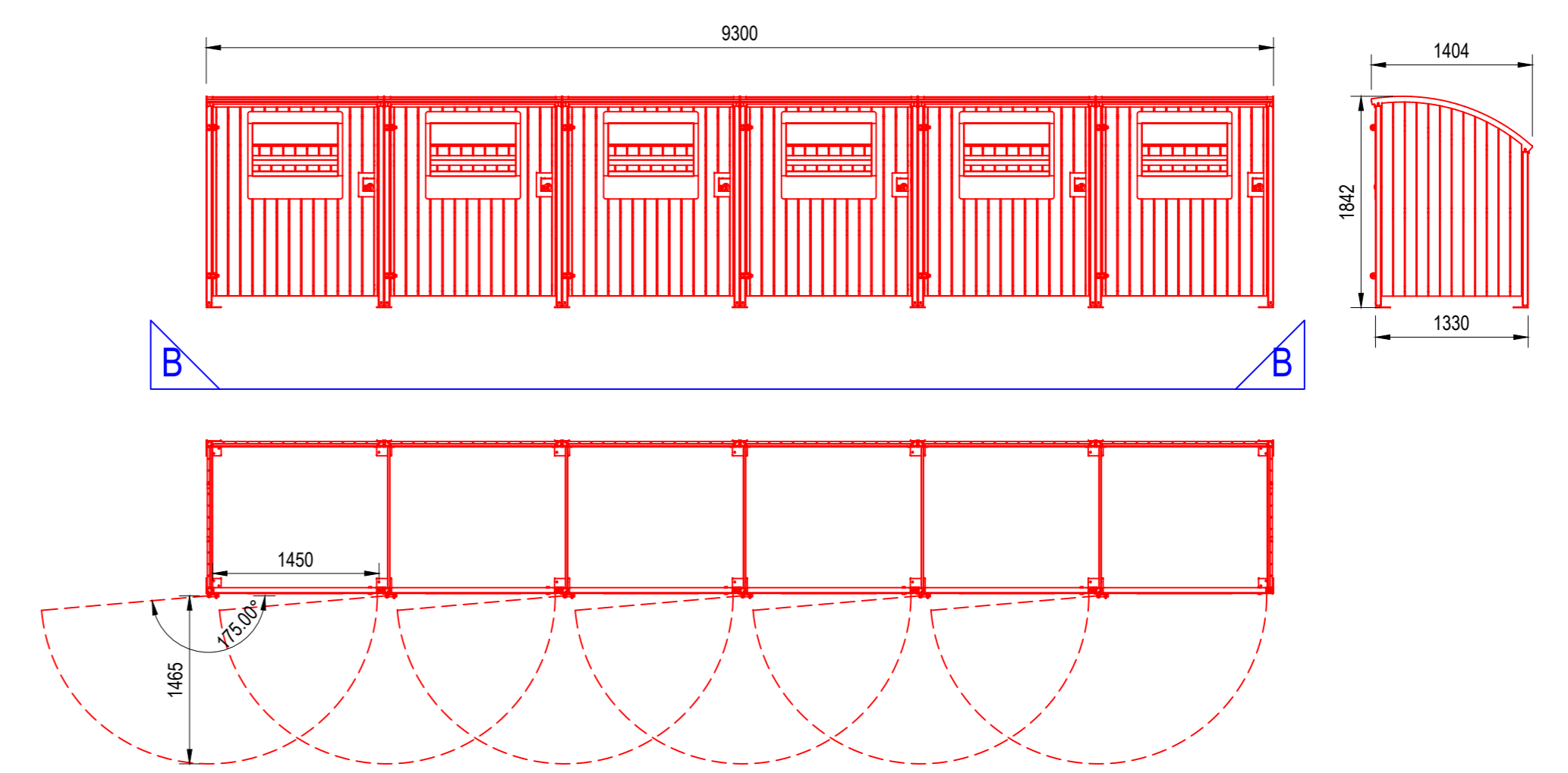
This drawing has been prepared for the use of AECOM's client. It may not be used, modified, reproduced or relied upon by third parties, except as agreed by AECOM or as required by law. AECOM accepts no responsibility, and denies any liability, whatsoever, to any party that uses or relies on this drawing without AECOM's express written consent. Do not scale this document. All measurements must be obtained from the stated dimensions.



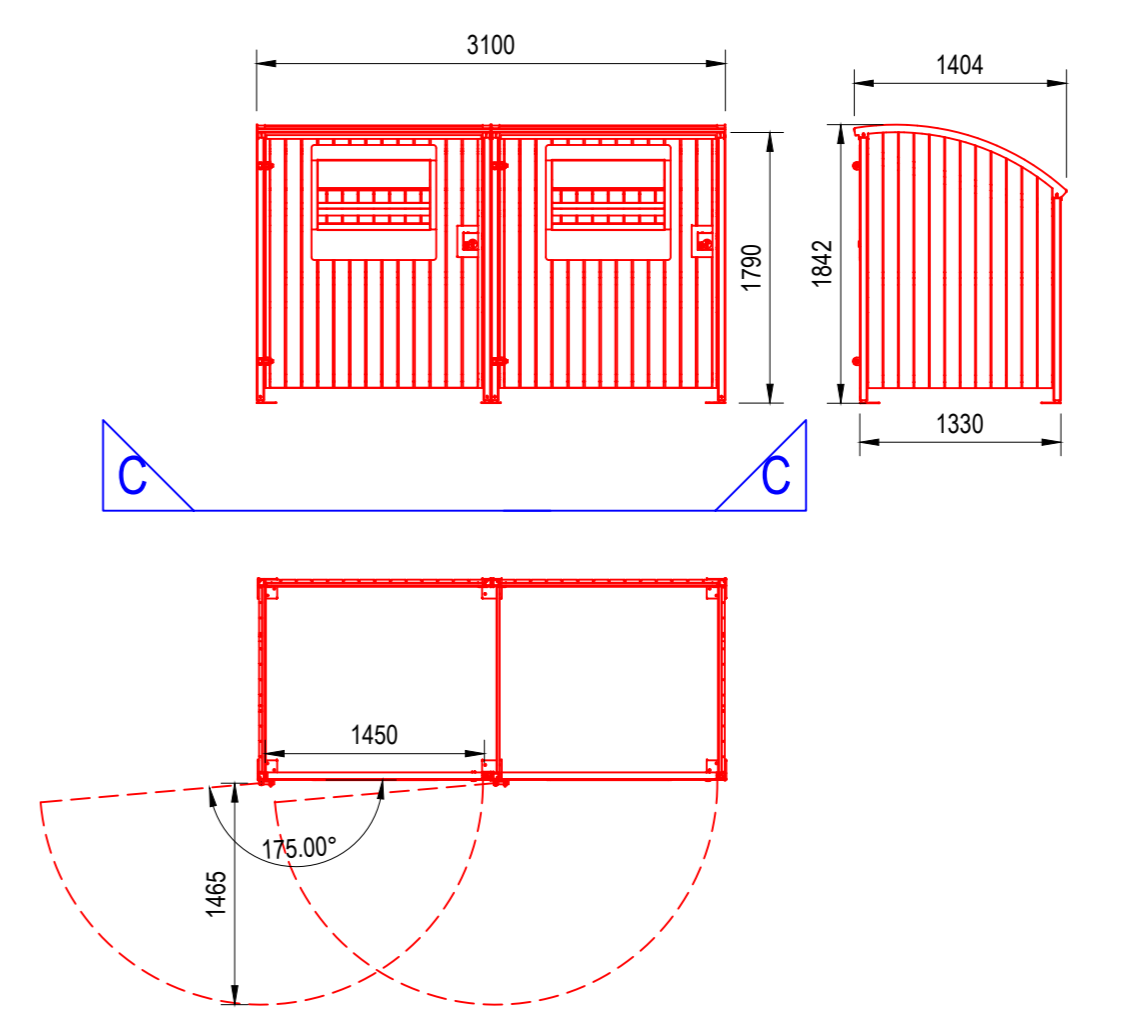
KEYPLAN NTS



1:50@A0

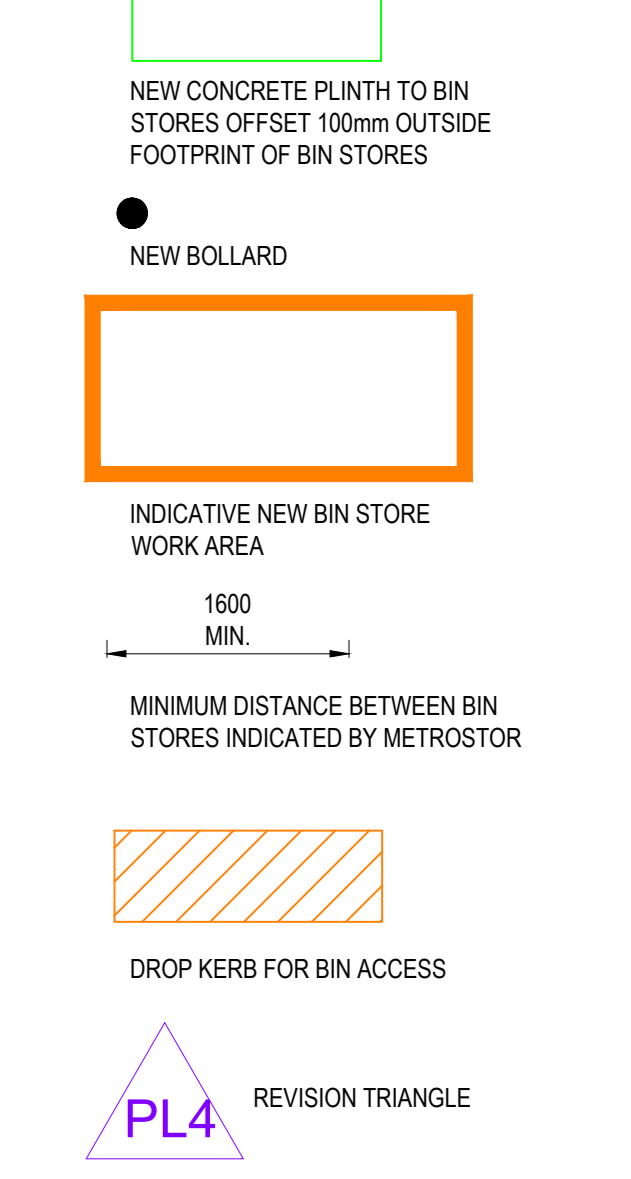


1:50@A0



1:50@A0

- NOTES
1. THIS DRAWING IS TO BE READ IN CONJUNCTION WITH ALL OTHER RELEVANT DOCUMENTATION.
 2. DO NOT SCALE FROM THIS DRAWING. USE ONLY PRINTED DIMENSIONS.
 3. ALL DIMENSIONS IN MILLIMETRES. ALL CHAINAGES, LEVEL AND COORDINATES ARE IN METRES UNLESS DEFINED OTHERWISE.
 4. THIS DRAWING IS TO BE READ IN CONJUNCTION WITH THE PROJECT HEALTH & SAFETY FILE FOR ANY IDENTIFIED POTENTIAL RISKS.
 5. THIS DRAWING MUST BE PRINTED IN COLOUR.

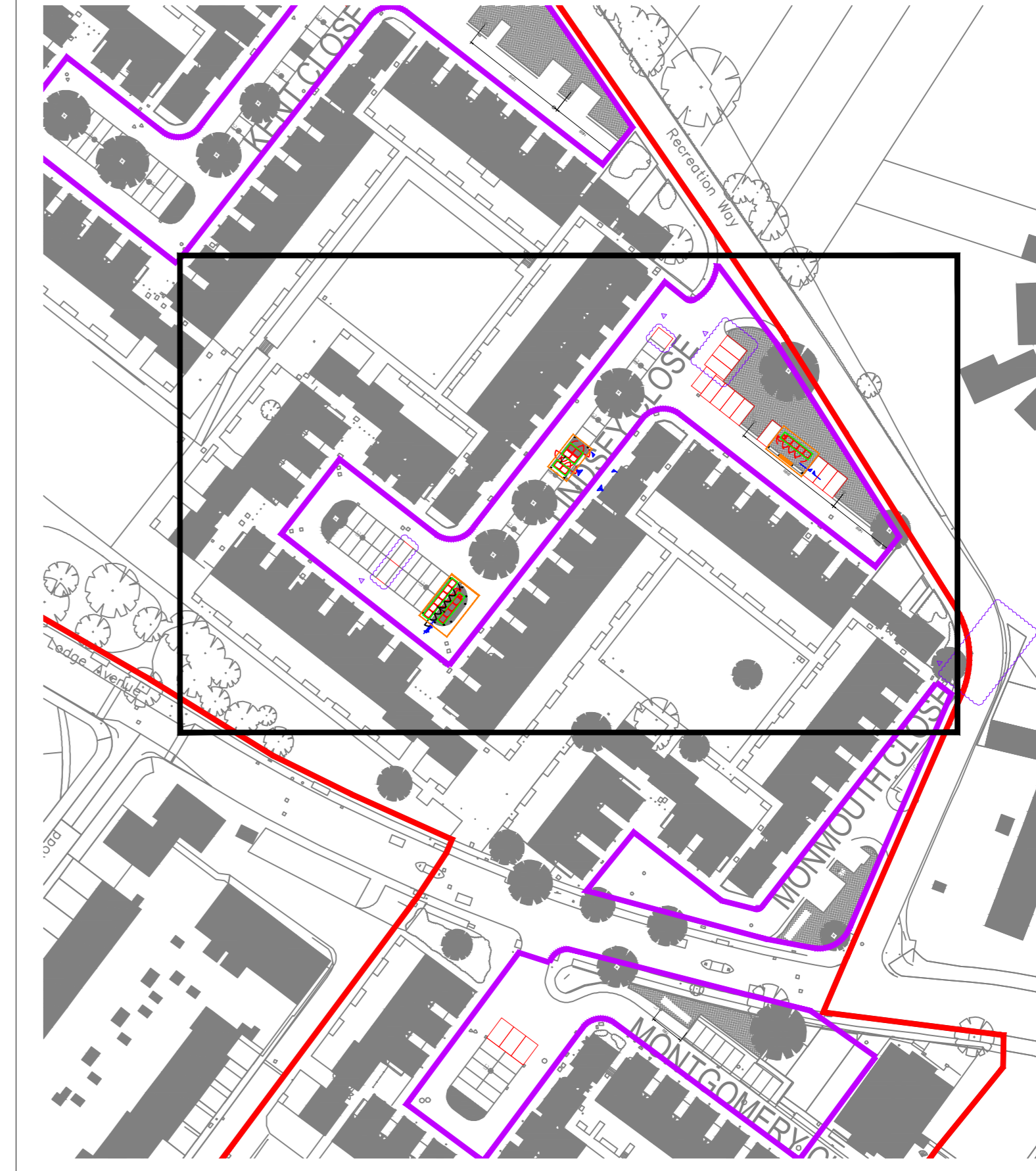
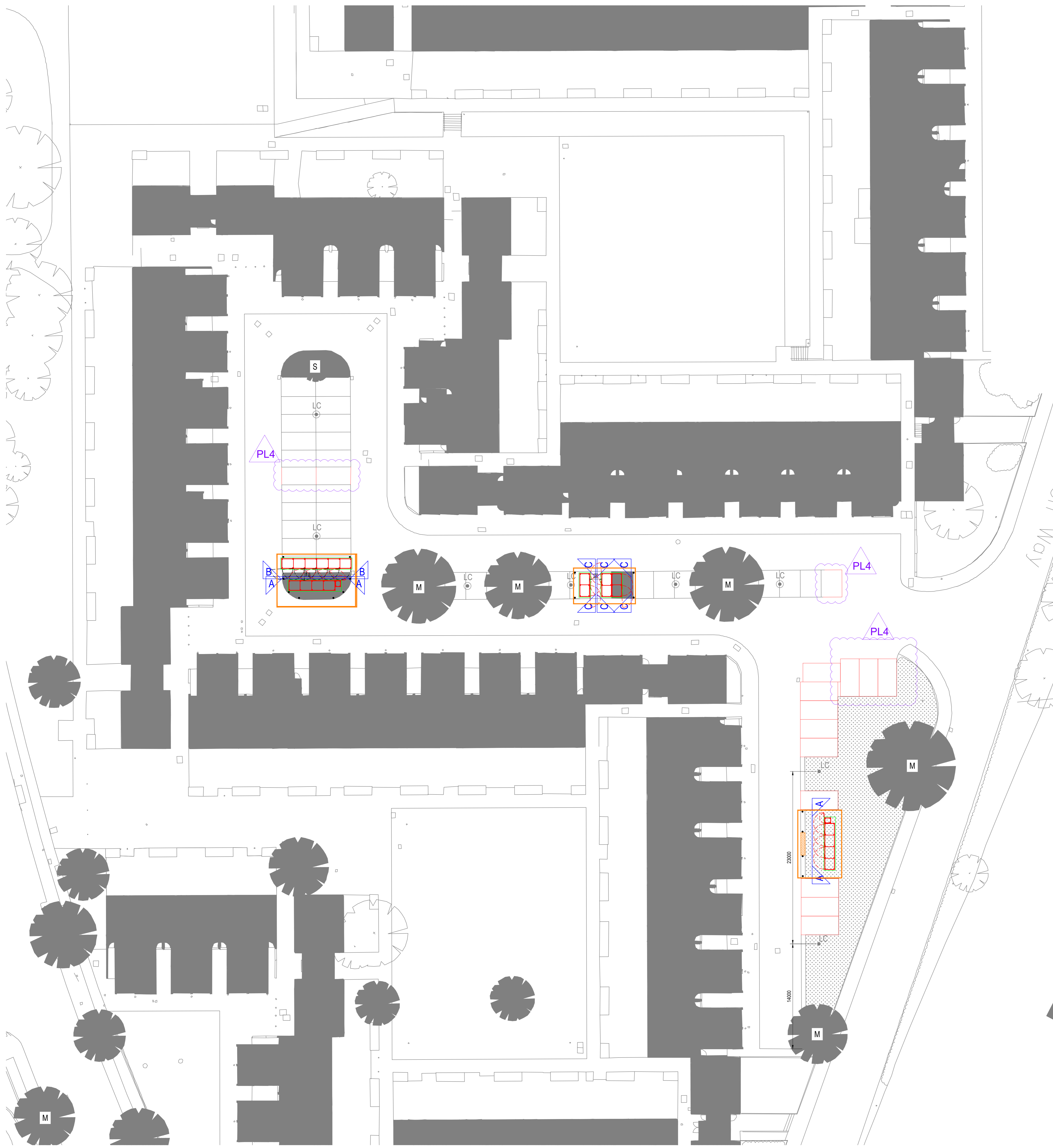


PLANNING APPLICATION	GF	MOAT	07/10/2020	PL4
INCORPORATING CLIENT'S COMMENTS	RE	MOAT	07/10/2020	PL4
PLANNING APPLICATION ISSUED FOR CLIENT'S COMMENTS	GF	MOAT	29/09/2020	PL3
PLANNING APPLICATION	GF	MOAT	09/09/2020	PL2
BOLLARDS POSITION REVIEW	RE	MOAT	09/09/2020	PL2
PLANNING APPLICATION	GF	MOAT	15/10/19	PL1
DRAFT PLANNING APPLICATION FOR COMMENT	GF	MOAT	22/05/19	PL0-3
DESCRIPTION	GF	MOAT		

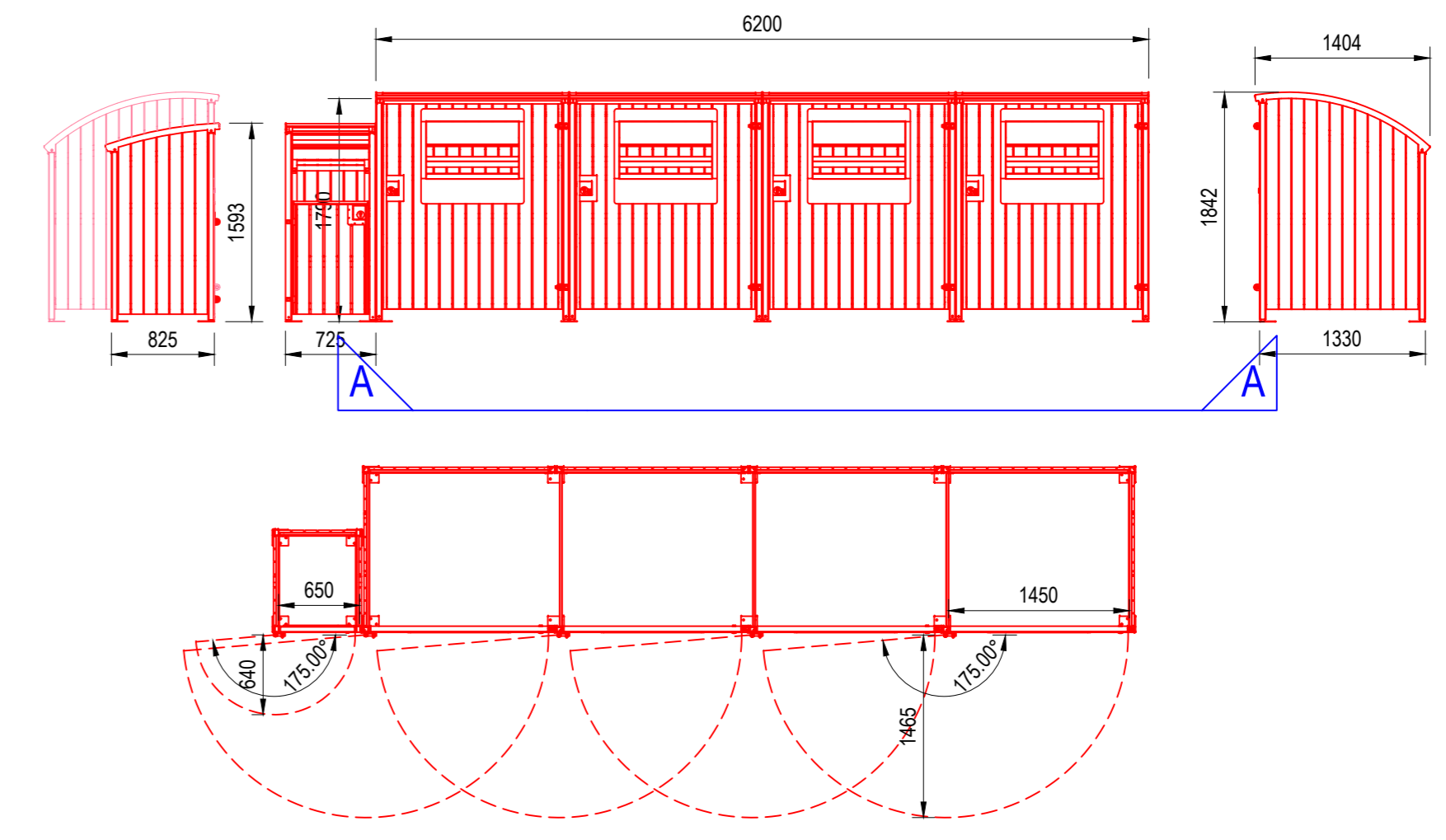
ISSUE/REVISION
 SCALE 1:200@A0

PROJECT NUMBER
 60519374
 SHEET TITLE
 KENT CLOSE
 PROPOSED BIN STORE LOCATIONS
 SHEET NUMBER
 60519374_KENT_CLOSE_002_REV_PL4

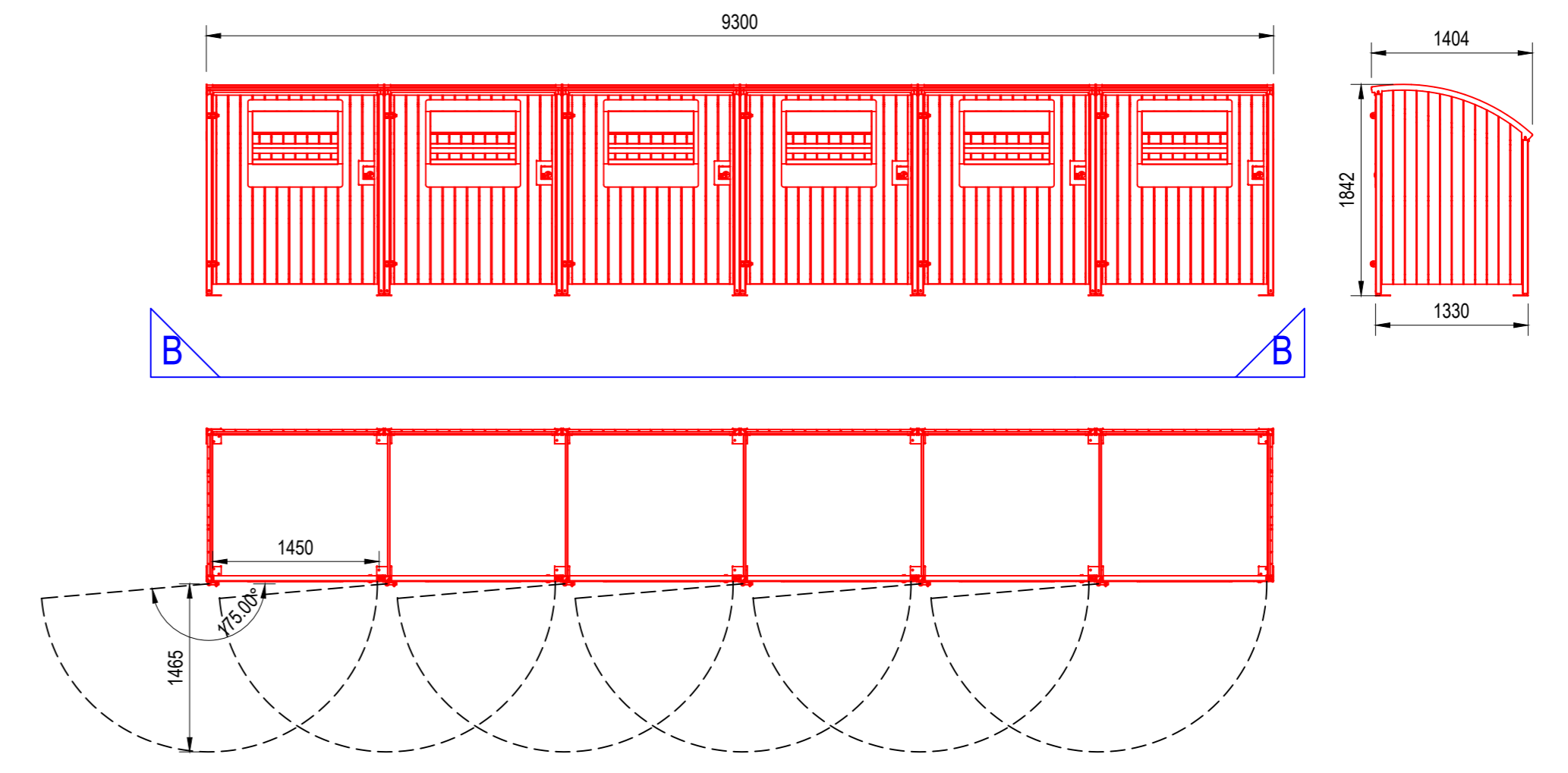
This drawing has been prepared for the use of AECOM's client. It may not be used, modified, reproduced or relied upon by third parties, except as agreed by AECOM or as required by law. AECOM accepts no responsibility, and denies any liability, whatsoever, to any party that uses or relies on this drawing without AECOM's express written consent. Do not scale this document. All measurements must be obtained from the stated dimensions.



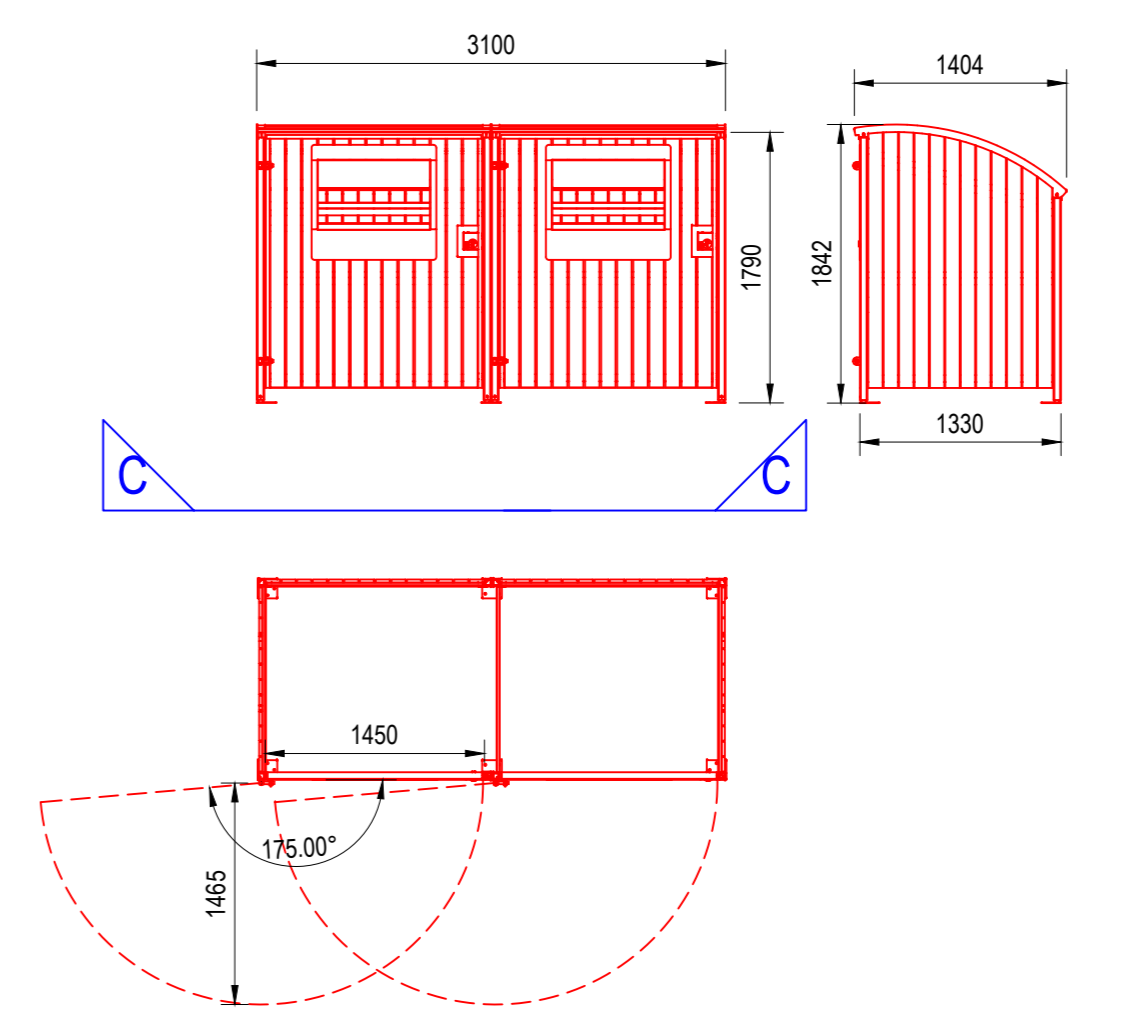
KEYPLAN NTS



1:50@A0

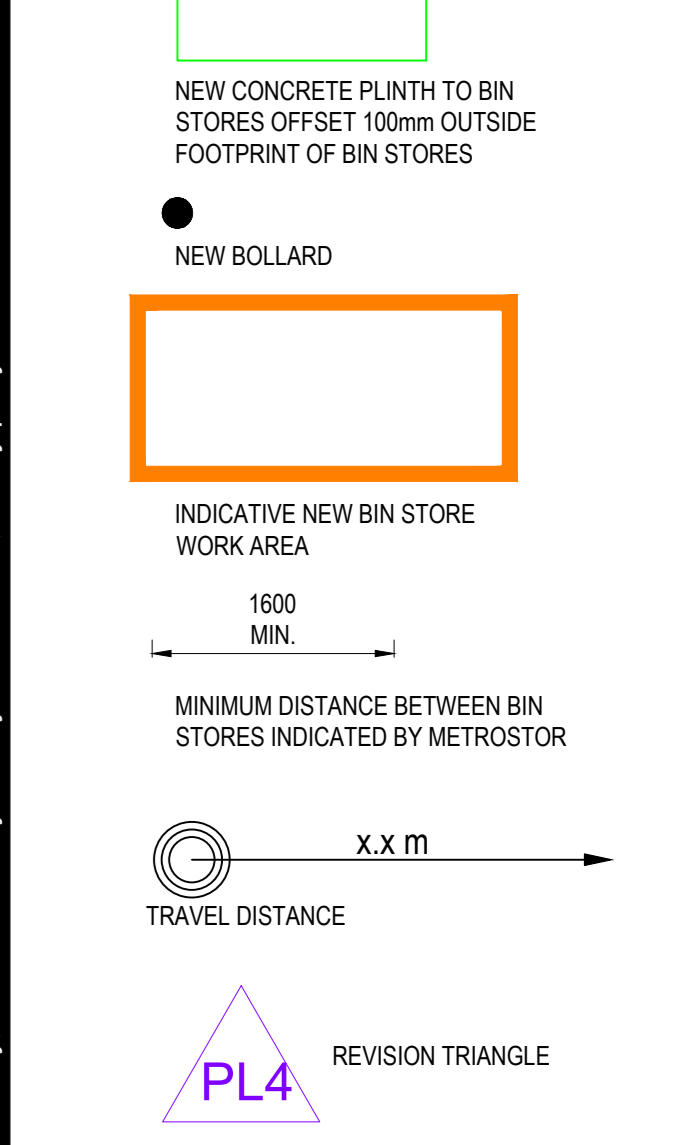


1:50@A0



1:50@A0

- NOTES
1. THIS DRAWING IS TO BE READ IN CONJUNCTION WITH ALL OTHER RELEVANT DOCUMENTATION.
 2. DO NOT SCALE FROM THIS DRAWING. USE ONLY PRINTED DIMENSIONS.
 3. ALL DIMENSIONS IN MILLIMETRES; ALL CHAINAGES, LEVELS AND COORDINATES ARE IN METRES UNLESS DEFINED OTHERWISE.
 4. THIS DRAWING IS TO BE READ IN CONJUNCTION WITH THE PROJECT HEALTH & SAFETY FILE FOR ANY IDENTIFIED POTENTIAL RISKS.
 5. THIS DRAWING MUST BE PRINTED IN COLOUR.



PLANNING APPLICATION	REVISION	DATE	DESCRIPTION
INCORPORATING CLIENT'S COMMENTS	GF	MOAT	07/10/2020 PL4
PLANNING APPLICATION ISSUED FOR CLIENT'S COMMENTS	RE	MOAT	28/09/2020 PL3
PLANNING APPLICATION	GM	MOAT	09/09/2020 PL2
BOLLARDS POSITION REVIEW	RE	KT	15/10/19 PL1
PLANNING APPLICATION	GM	KT	22/05/19 PL0-2
DRAFT PLANNING APPLICATION FOR COMMENT	JC	VC	
DESCRIPTION	SA	XX	

ISSUE/REVISION

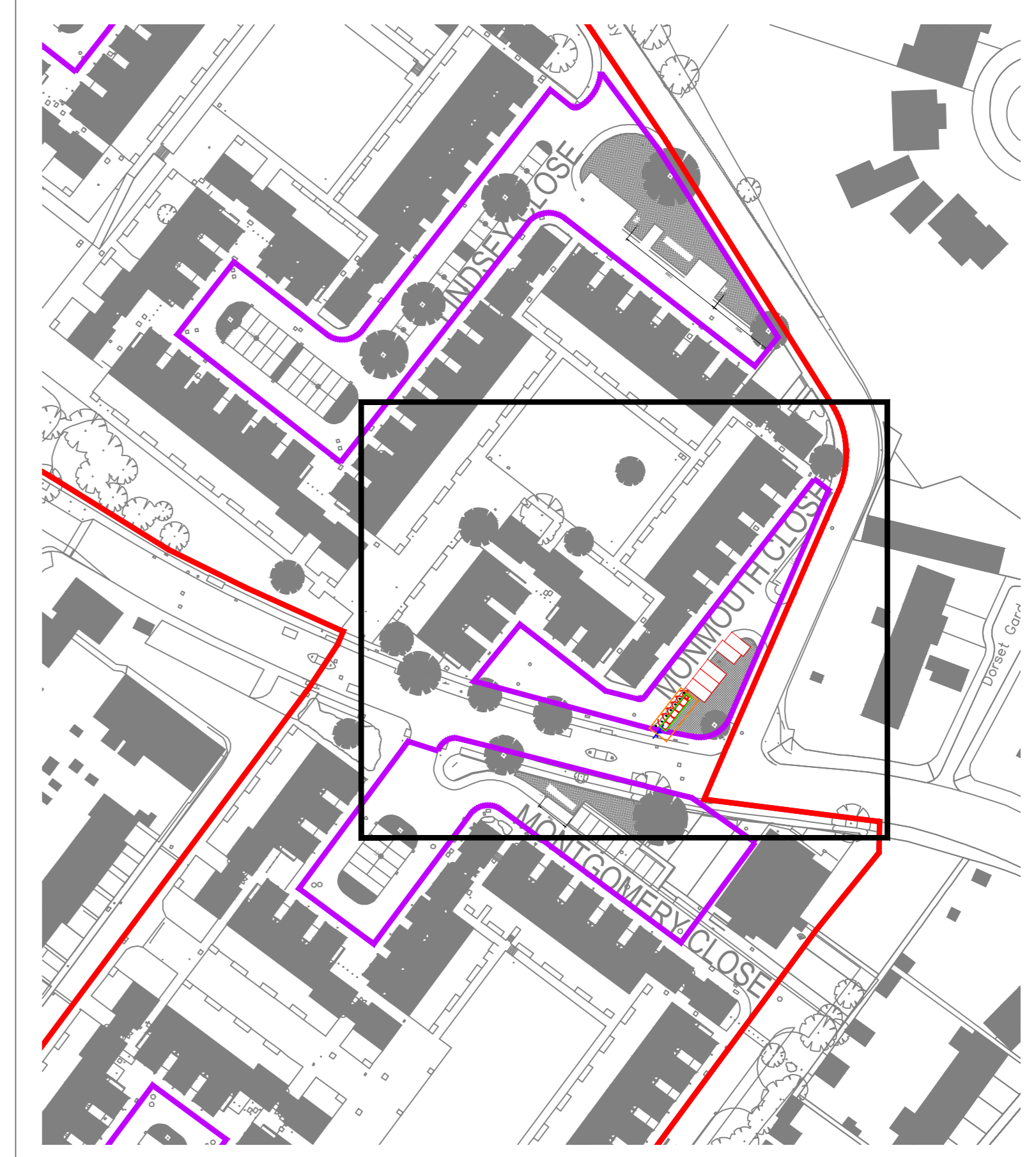
SCALE 1:200@A0

PROJECT NUMBER
 60519374

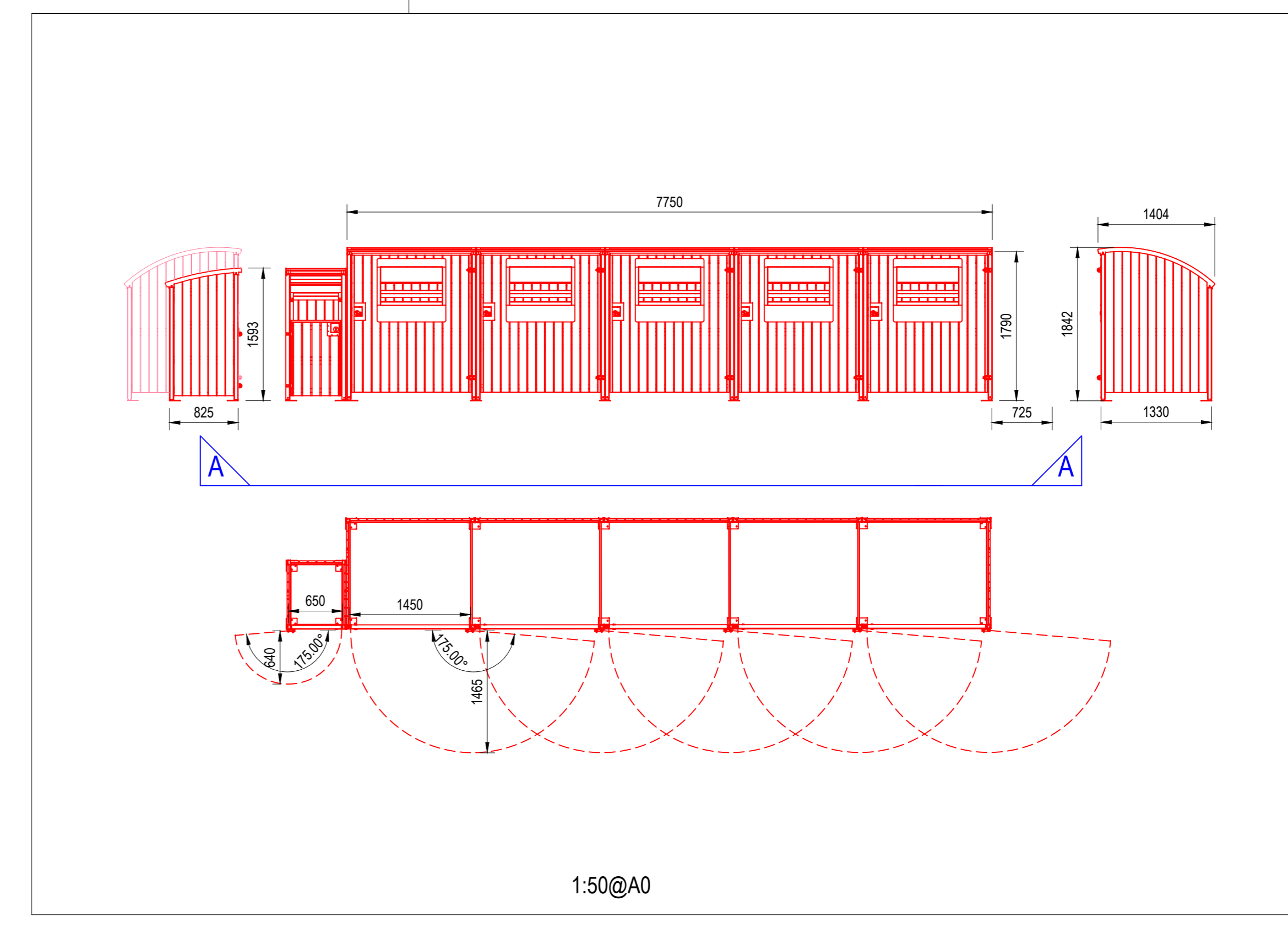
SHEET TITLE
 LINDSEY CLOSE
 PROPOSED SITE LAYOUT

SHEET NUMBER
 60519374_LINDSEY_CLOSE_002_REV_PL4

This drawing has been prepared for the use of AECOM's client. It may not be used, modified, reproduced or relied upon by third parties, except as agreed by AECOM or as required by law. AECOM accepts no responsibility, and denies any liability, whatsoever, to any party that uses or relies on this drawing without AECOM's express written consent. Do not scale this document. All measurements must be obtained from the stated dimensions.



KEYPLAN NTS



1:50@A0

AECOM

PROJECT
**POLLARDS HILL-
 REFUGE STORAGE
 WORKS**

STAGE
PLANNING

CLIENT
**MOAT HOMES LIMITED,
 MARINER HOUSE,
 GALLEON BOULEVARD,
 CROSSWAYS, KENT
 DA2 6QE**

CONSULTANT
**AECOM
 ALDGATE TOWER,
 2 LEMAN STREET,
 LONDON E1 8FA
 www.aecom.com**

NOTES
 1. THIS DRAWING IS TO BE READ IN CONJUNCTION WITH ALL OTHER RELEVANT DOCUMENTATION.
 2. DO NOT SCALE FROM THIS DRAWING. USE ONLY PRINTED DIMENSIONS.
 3. ALL DIMENSIONS IN MILLIMETRES; ALL CHAINAGES, LEVELS AND COORDINATES ARE IN METRES UNLESS DEFINED OTHERWISE.
 4. THIS DRAWING IS TO BE READ IN CONJUNCTION WITH THE PROJECT HEALTH & SAFETY FILE FOR ANY IDENTIFIED POTENTIAL RISKS.
 5. THIS DRAWING MUST BE PRINTED IN COLOUR.

- NEW CONCRETE PLINTH TO BIN STORES OFFSET 100mm OUTSIDE FOOTPRINT OF BIN STORES
- NEW BOLLARD
- INDICATIVE NEW BIN STORE WORK AREA
- 1600 MIN
- MINIMUM DISTANCE BETWEEN BIN STORES INDICATED BY METROSTOR

PLANNING APPLICATION	GM	KT			
DRAFT PLANNING APPLICATION FOR COMMENT	JC	RF	VC	15/10/19	PL1
DESCRIPTION	SA	XX	22/05/19	PL0-3	

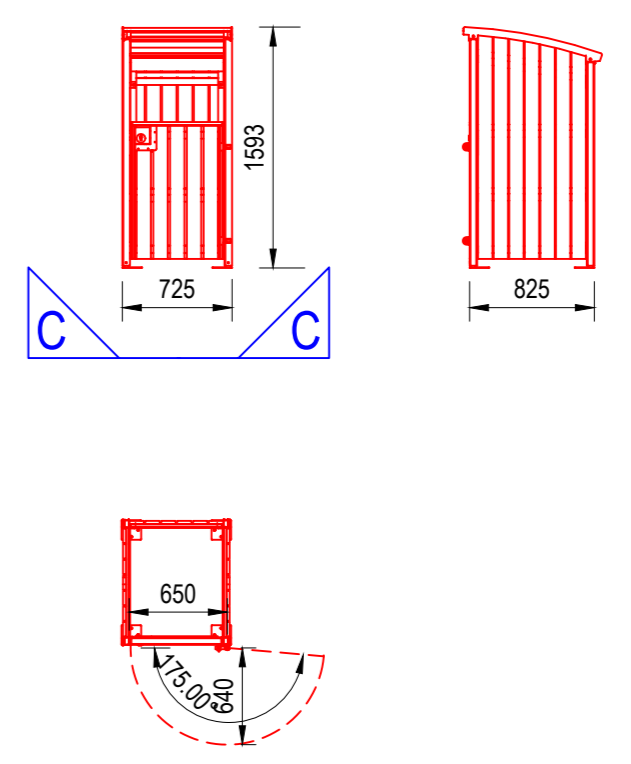
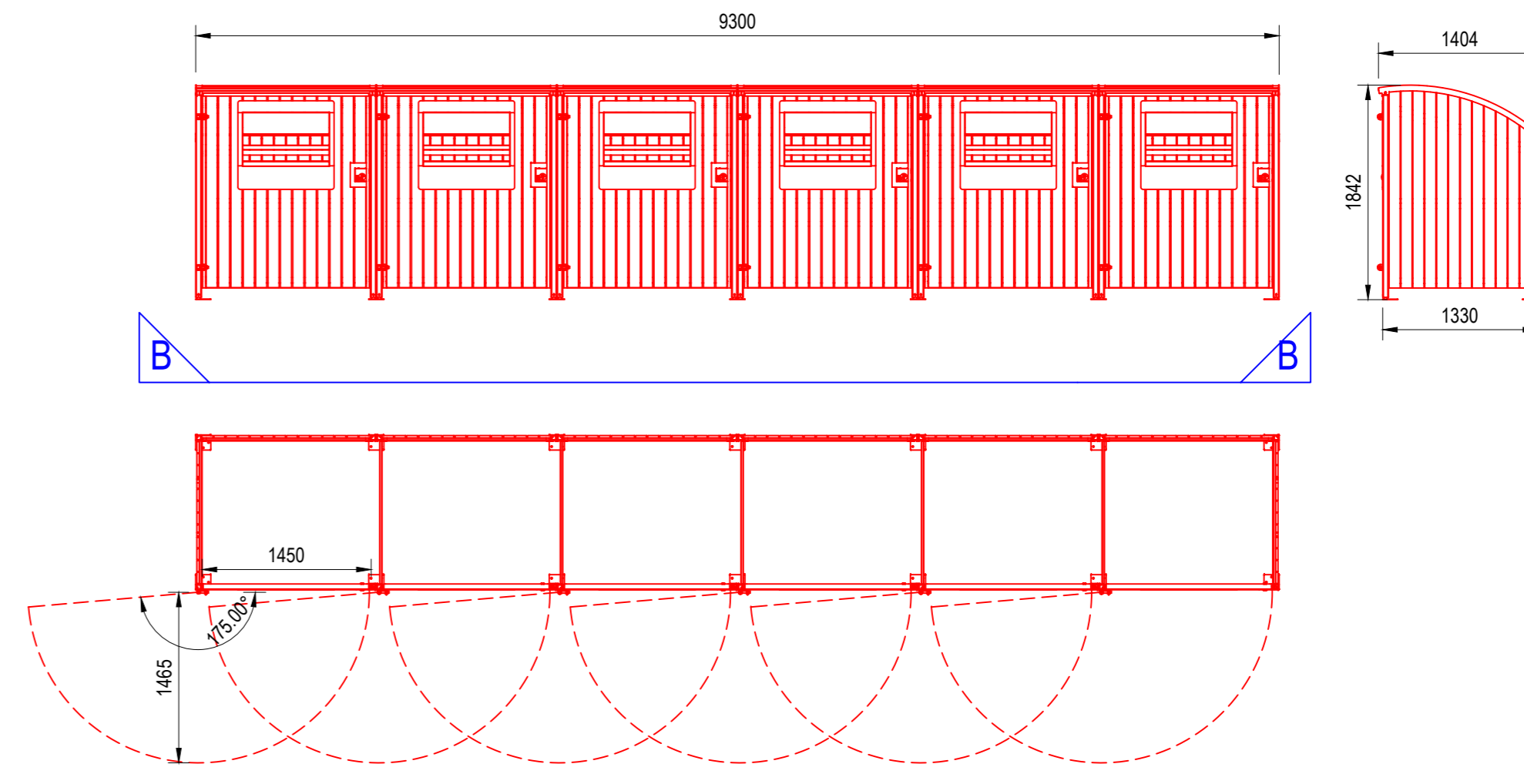
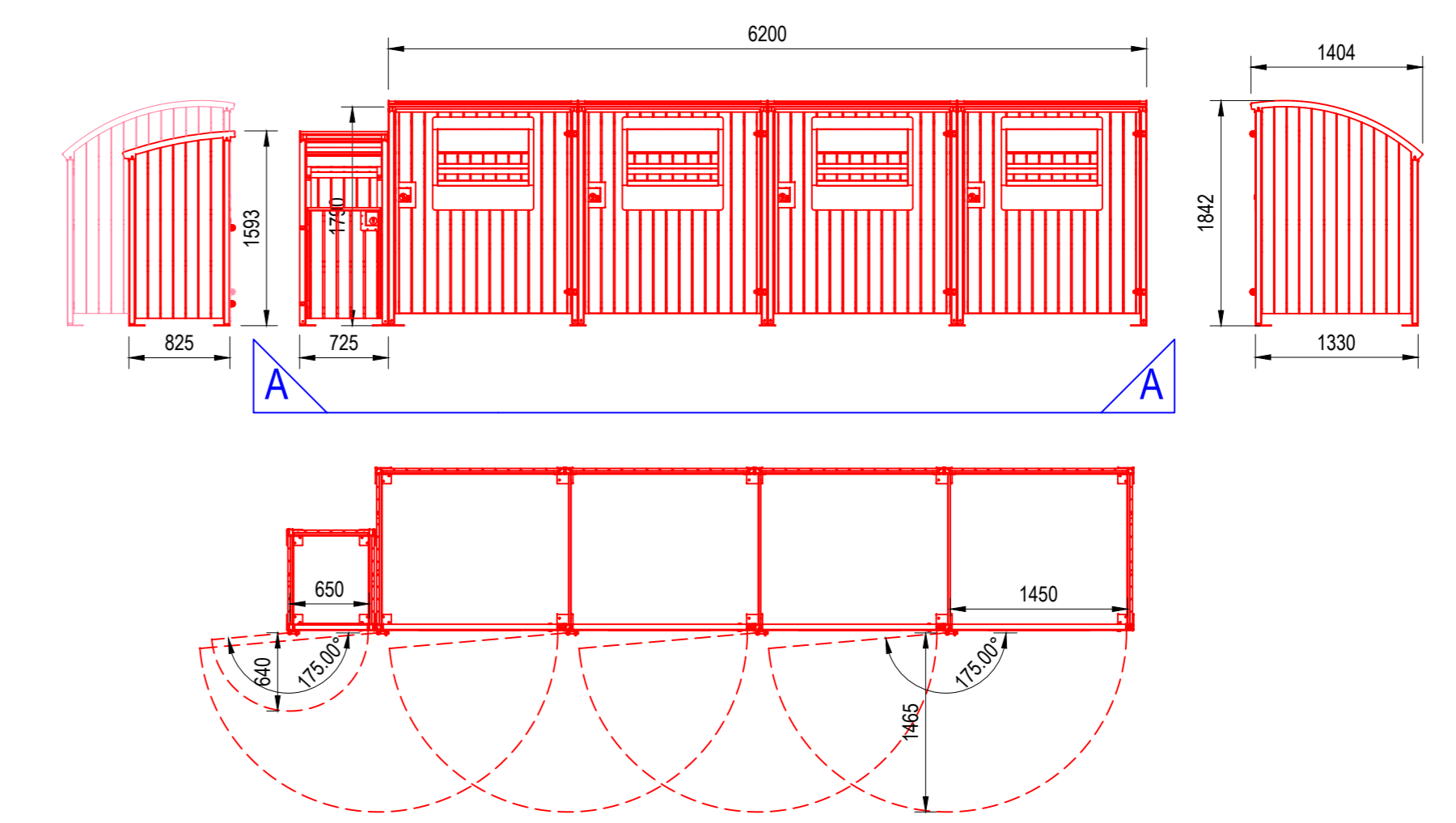
ISSUE/REVISION

SCALE	1:200@A0
-------	----------

PROJECT NUMBER
 60519374

SHEET TITLE
 MONMOUTH CLOSE
 PROPOSED BIN STORE LOCATIONS

SHEET NUMBER
 60519374_MONMOUTH
 CLOSE_002_REV_PL1



AECOM

PROJECT
**POLLARDS HILL-
 REFUGE STORAGE
 WORKS**

STAGE
PLANNING

CLIENT
**MOAT HOMES LIMITED,
 MARINER HOUSE,
 GALLEON BOULEVARD,
 CROSSWAYS, KENT
 DA2 6QE**

CONSULTANT
**AECOM
 ALDGATE TOWER,
 2 LEAMAN STREET,
 LONDON E1 8FA
 www.aecom.com**

NOTES
 1. THIS DRAWING IS TO BE READ IN CONJUNCTION WITH ALL OTHER RELEVANT DOCUMENTATION.
 2. DO NOT SCALE FROM THIS DRAWING. USE ONLY PRINTED DIMENSIONS.
 3. ALL DIMENSIONS IN MILLIMETRES. ALL CHAINAGES, LEVELS AND COORDINATES ARE IN METRES UNLESS DEFINED OTHERWISE.
 4. THIS DRAWING IS TO BE READ IN CONJUNCTION WITH THE PROJECT HEALTH & SAFETY FILE FOR ANY IDENTIFIED POTENTIAL RISKS.
 5. THIS DRAWING MUST BE PRINTED IN COLOUR.

NEW CONCRETE PLINTH TO BIN STORES OFFSET 100mm OUTSIDE FOOTPRINT OF BIN STORES

NEW BOLLARD

INDICATIVE NEW BIN STORE WORK AREA

1600 MIN.

MINIMUM DISTANCE BETWEEN BIN STORES INDICATED BY METROSTOR

DROP KERB FOR BIN ACCESS

PL3 REVISION TRIANGLE

PLANNING APPLICATION	GF	MOAT	
INCORPORATING CLIENT'S COMMENTS	RE	1/1	07/10/2020 PL3
PLANNING APPLICATION	GM	MOAT	
BOLLARDS POSITION REVIEW	RE	KL	09/06/2020 PL2
PLANNING APPLICATION	GM	KT	
DRAFT PLANNING APPLICATION	RE	VC	15/10/19 PL1
FOR COMMENT	JC	AC	
DESCRIPTION	SA	XX	22/05/19 PL0-2

ISSUE/REVISION

SCALE 1:200@A0

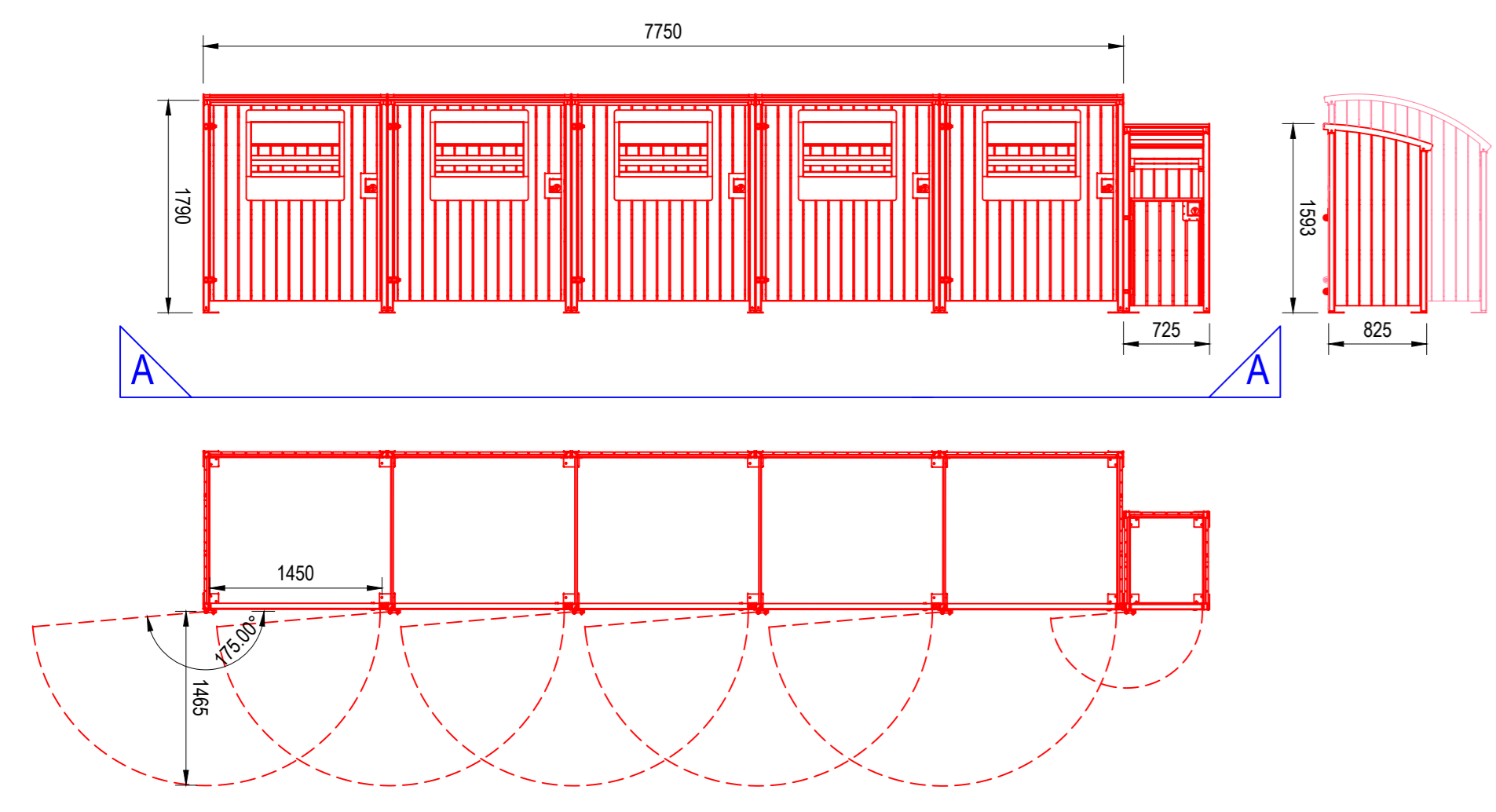
PROJECT NUMBER
 60519374

SHEET TITLE
 MONTGOMERY CLOSE
 PROPOSED BIN STORE LOCATIONS

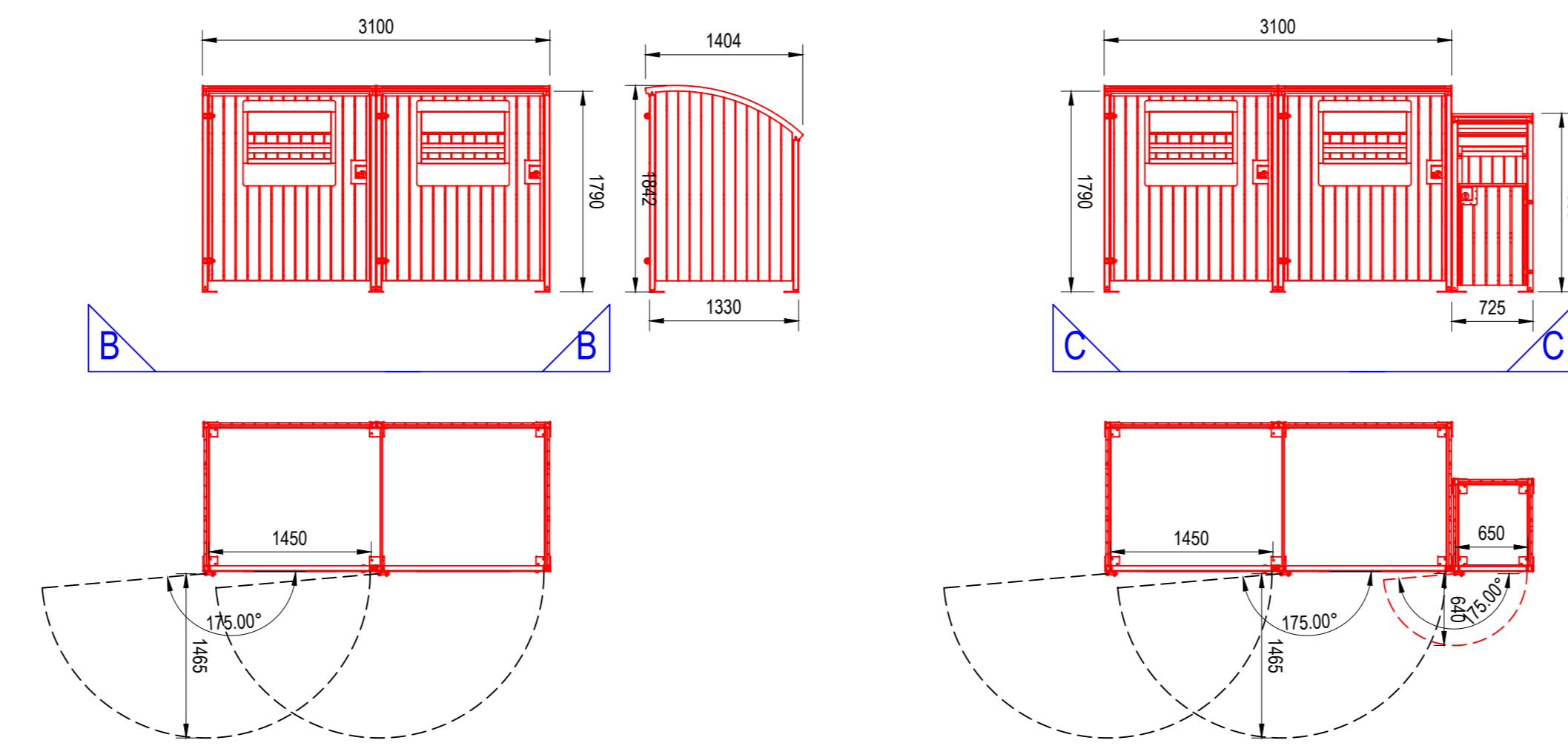
SHEET NUMBER
 60519374_MONTGOMERY CLOSE_002_REV_PL3

This drawing has been prepared for the use of AECOM's client. It may not be used, modified, reproduced or relied upon by third parties, except as agreed by AECOM or as required by law. AECOM accepts no responsibility, and denies any liability, whatsoever, to any party that uses or relies on this drawing without AECOM's express written consent. Do not scale this document. All measurements must be obtained from the stated dimensions.

- NOTES
1. THIS DRAWING IS TO BE READ IN CONJUNCTION WITH ALL OTHER RELEVANT DOCUMENTATION.
 2. DO NOT SCALE FROM THIS DRAWING. USE ONLY PRINTED DIMENSIONS.
 3. ALL DIMENSIONS IN MILLIMETRES; ALL CHAINAGES, LEVELS AND COORDINATES ARE IN METRES UNLESS DEFINED OTHERWISE.
 4. THIS DRAWING IS TO BE READ IN CONJUNCTION WITH THE PROJECT HEALTH & SAFETY FILE FOR ANY IDENTIFIED POTENTIAL RISKS.
 5. THIS DRAWING MUST BE PRINTED IN COLOUR.



BIN STORES FOR RADNOR CLOSE 1:50@A0



BIN STORES FOR SHROPSHIRE CLOSE 1:50@A0



- NEW CONCRETE PLINTH TO BIN STORES OFFSET 100mm OUTSIDE FOOTPRINT OF BIN STORES
- NEW BOLLARD
- INDICATIVE NEW BIN STORE WORK AREA
- 1600 MM
- MINIMUM DISTANCE BETWEEN BIN STORES INDICATED BY METROSTOR
- DROP KERB FOR BIN ACCESS

PLANNING APPLICATION	GM	MOAT	03/06/2020	PL2
BOLLARDS POSITION REVIEW	RE	UL		
PLANNING APPLICATION	GM	KT	15/10/19	PL1
DRAFT PLANNING APPLICATION	GF	P	11/10/19	PL0-3
FOR COMMENT	SA	XX	22/05/19	PL0-2
FOR COMMENT	JC	AC		
DESCRIPTION	SA	XX		

ISSUE/REVISION

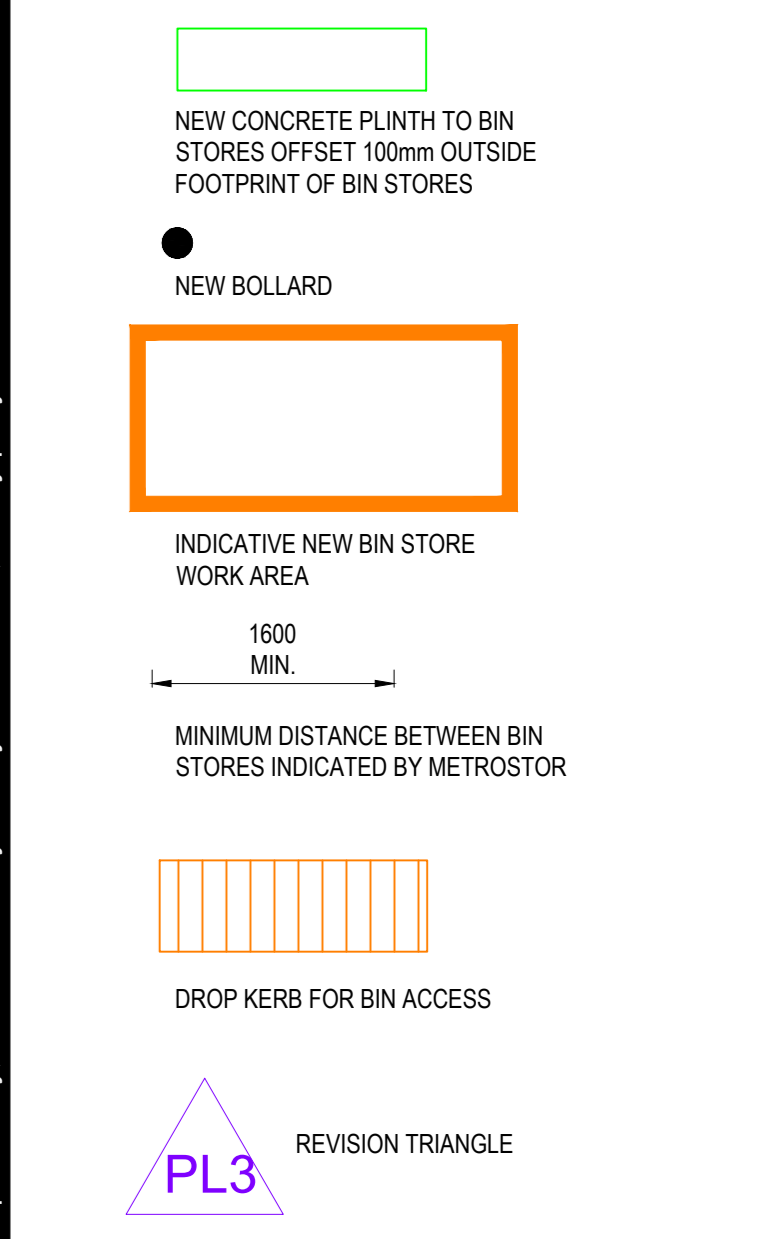
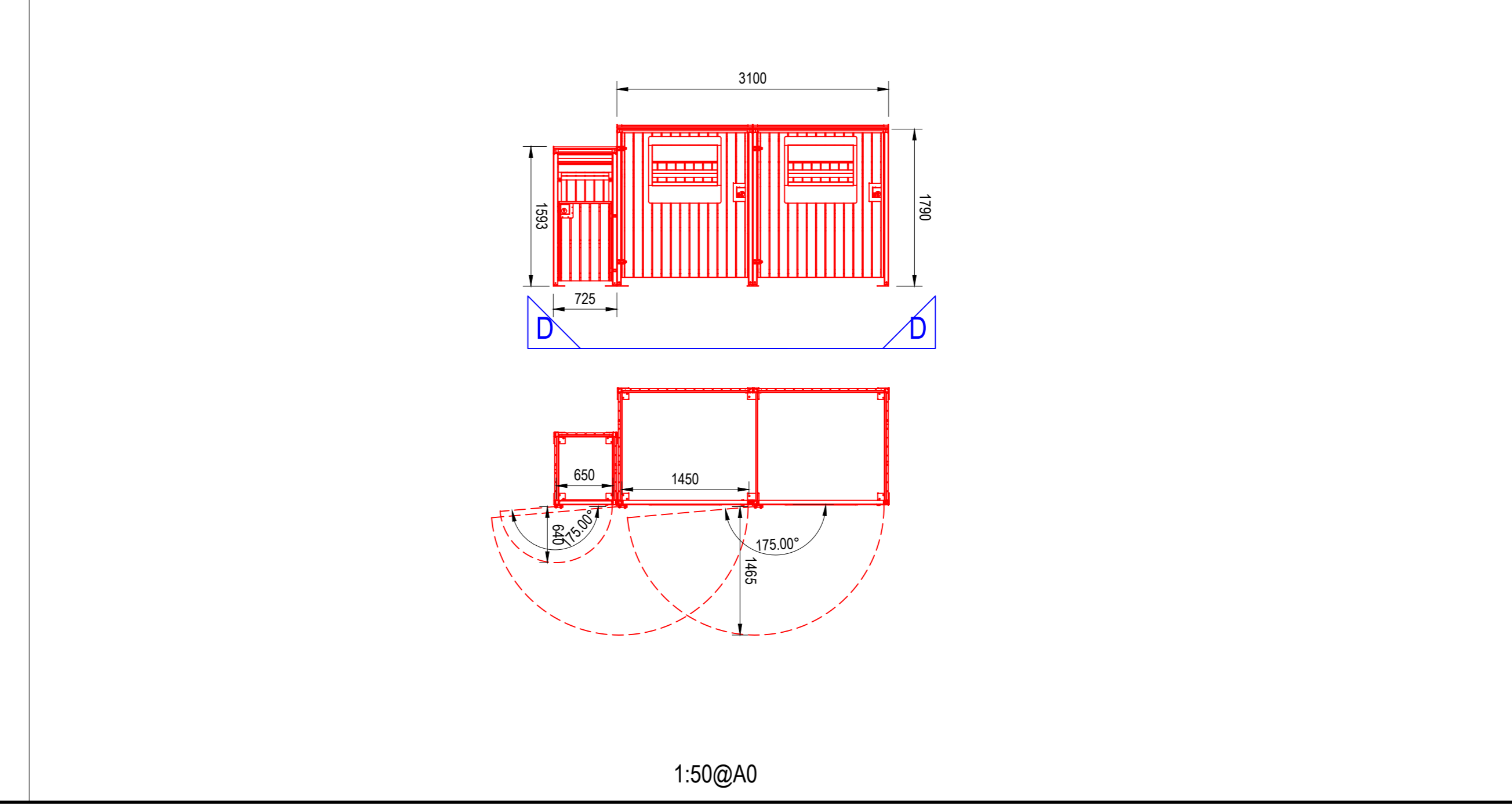
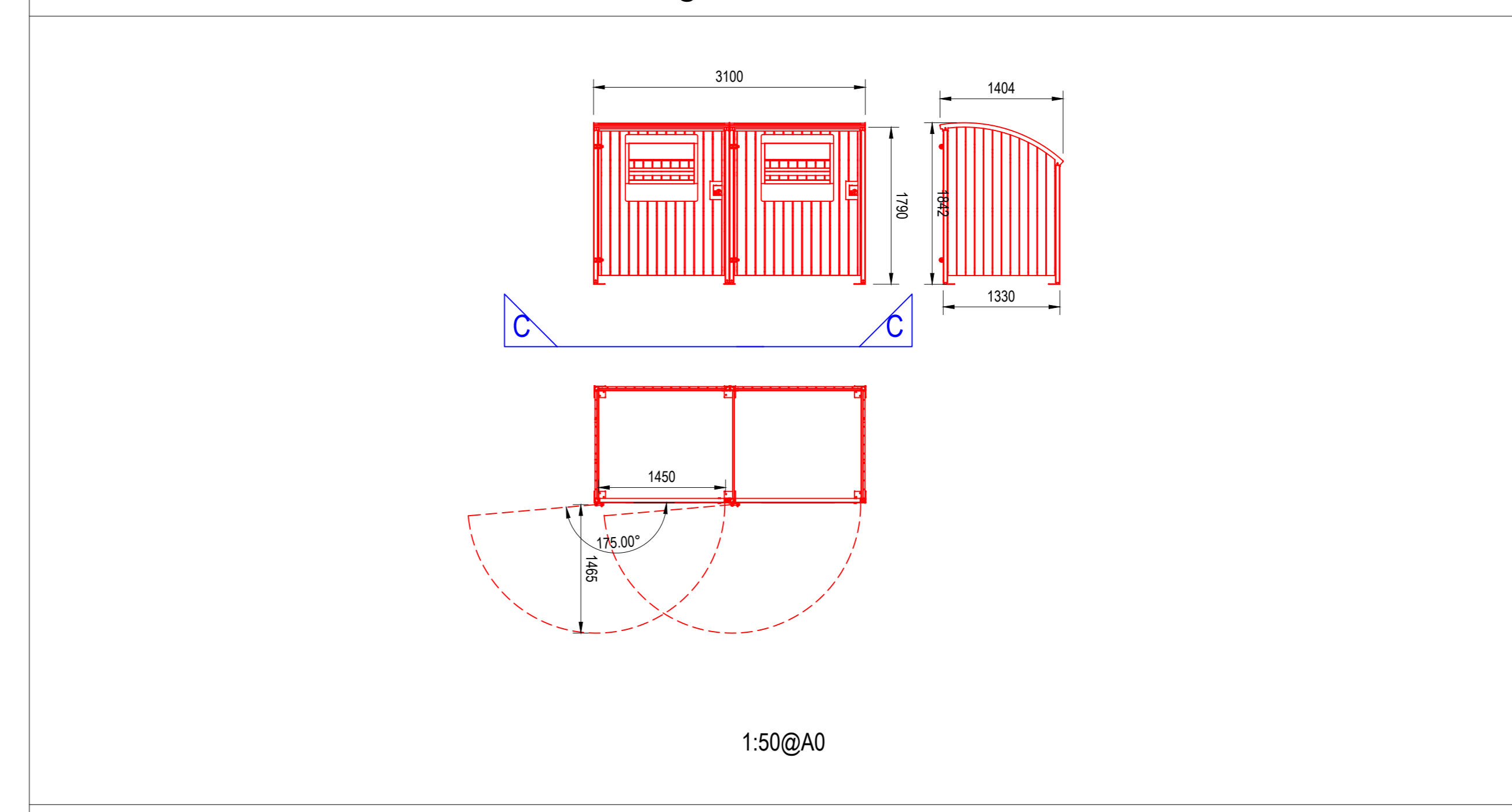
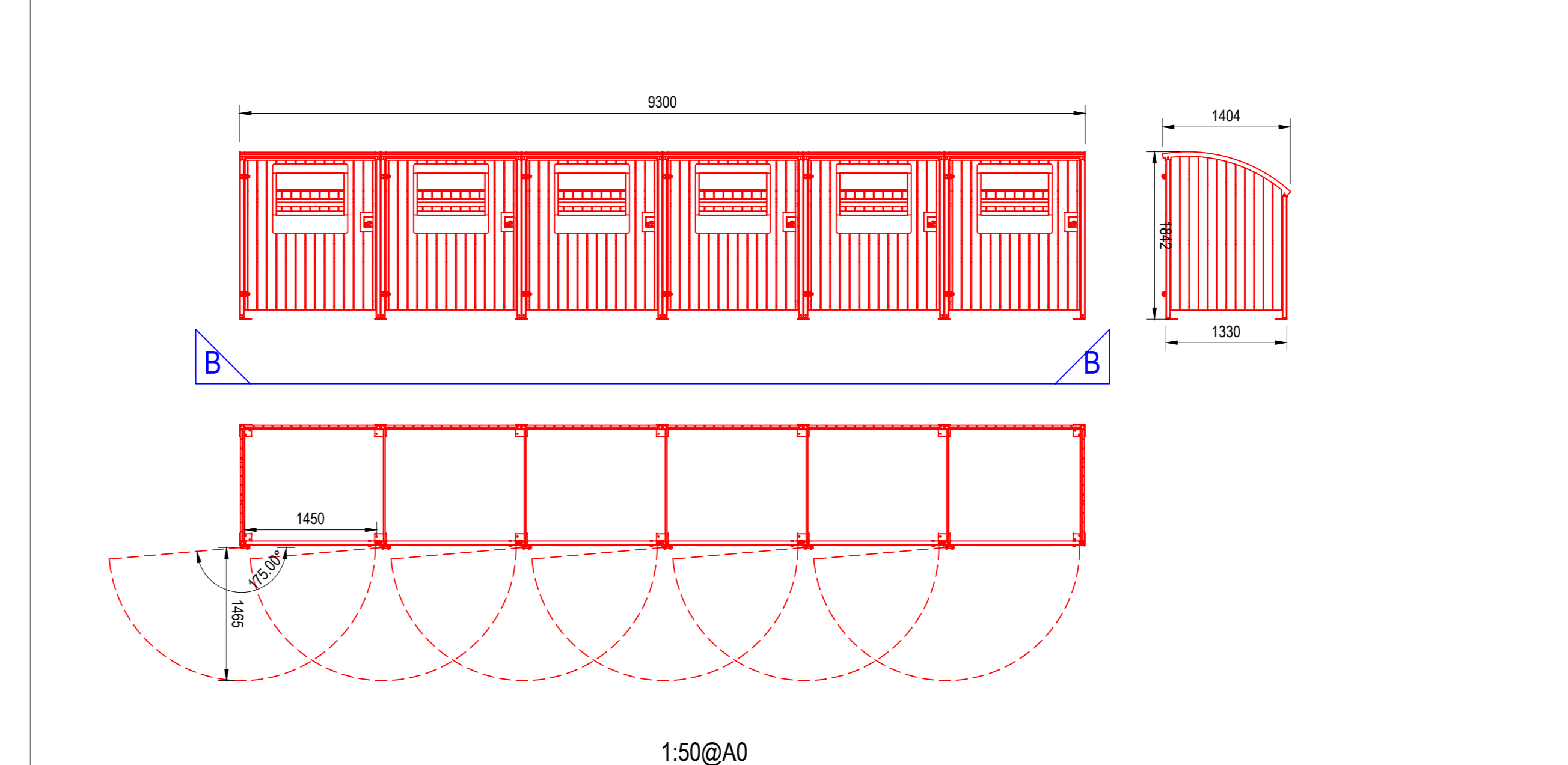
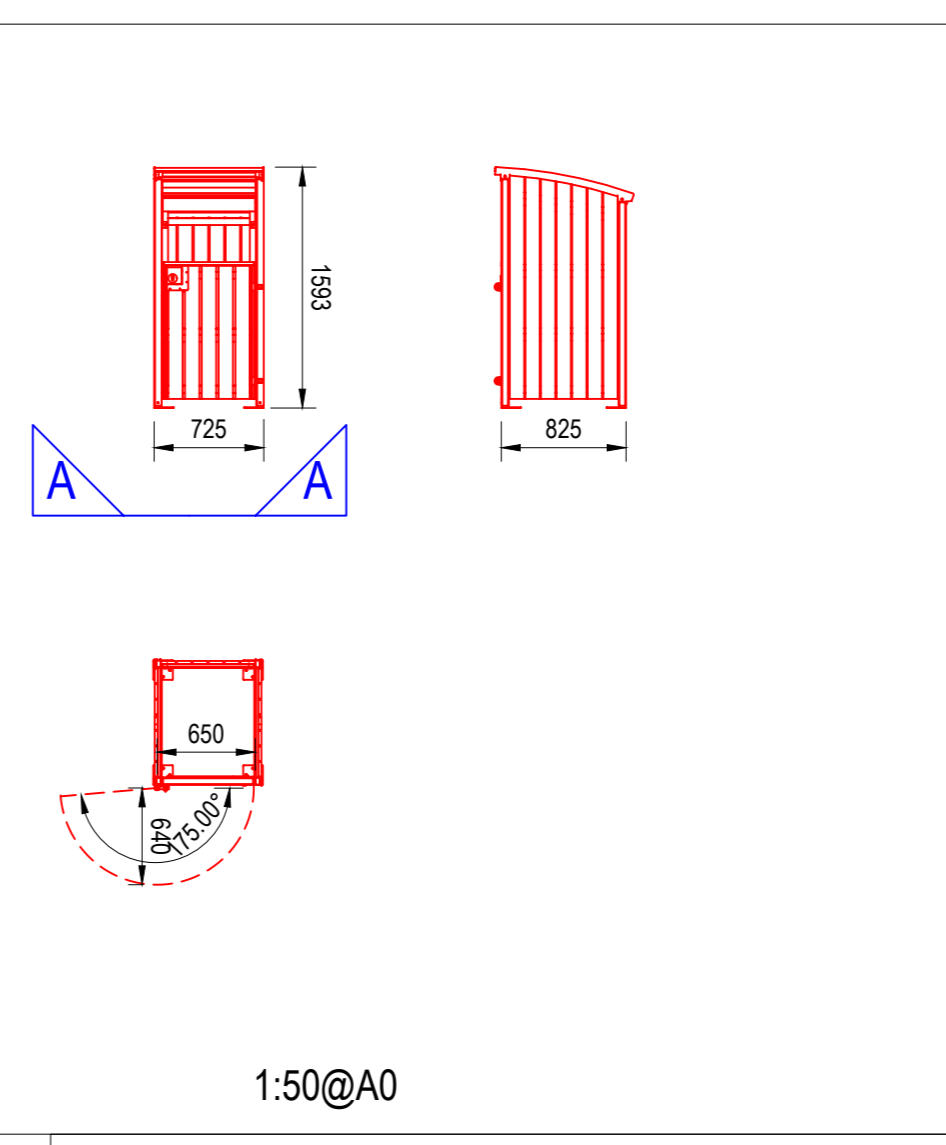
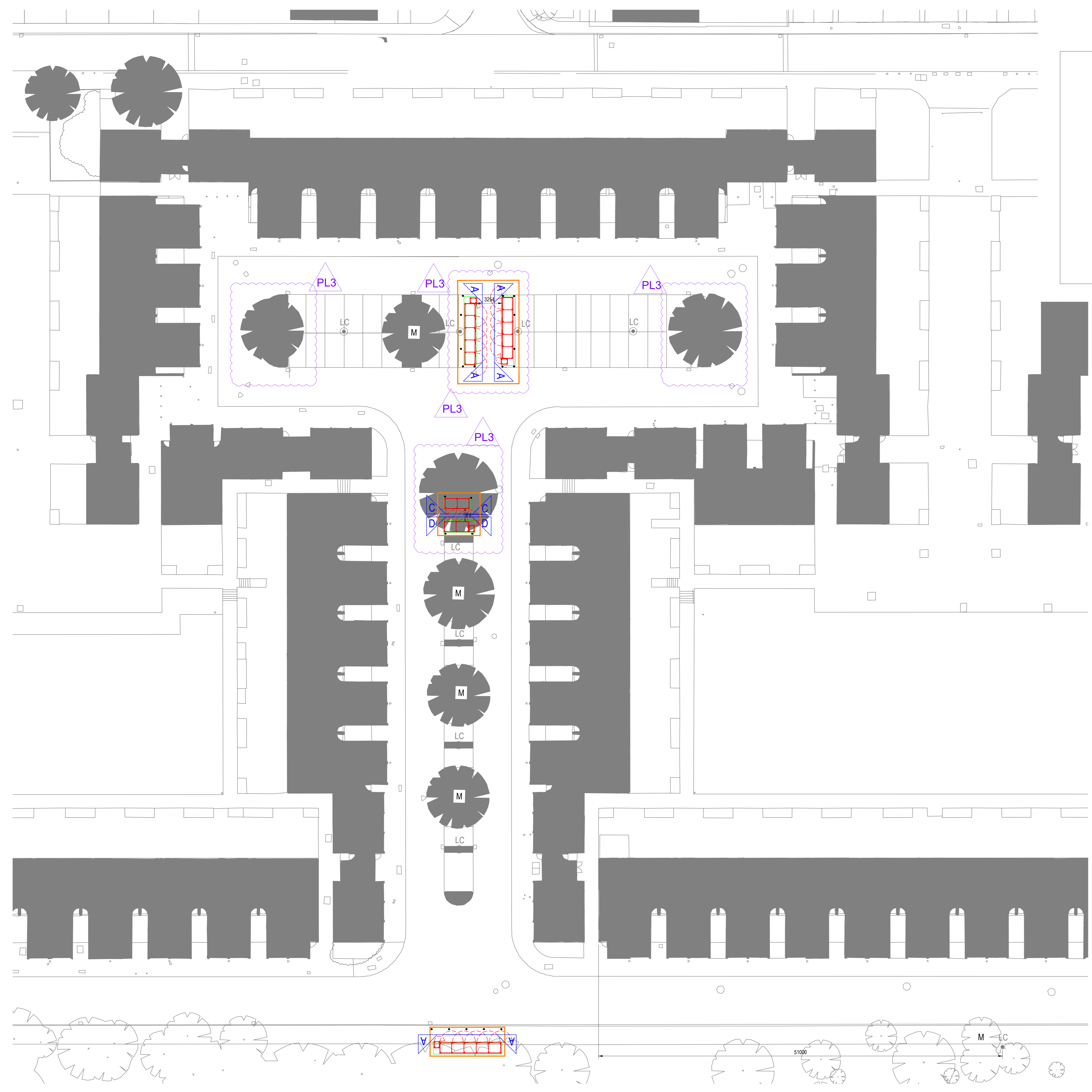
SCALE 1:150@A0

PROJECT NUMBER
 60519374

SHEET TITLE
 RADNOR CLOSE
 PROPOSED BIN STORE LOCATIONS

SHEET NUMBER
 60519374_RADNOR
 CLOSE_002_REV_PL2

- NOTES**
1. THIS DRAWING IS TO BE READ IN CONJUNCTION WITH ALL OTHER RELEVANT DOCUMENTATION.
 2. DO NOT SCALE FROM THIS DRAWING. USE ONLY PRINTED DIMENSIONS.
 3. ALL DIMENSIONS IN MILLIMETRES; ALL CHANGES, LEVEL AND COORDINATES ARE IN METRES UNLESS DEFINED OTHERWISE.
 4. THIS DRAWING IS TO BE READ IN CONJUNCTION WITH THE PROJECT HEALTH & SAFETY FILE FOR ANY IDENTIFIED POTENTIAL RISKS.
 5. THIS DRAWING MUST BE PRINTED IN COLOUR.



ISSUE/REVISION	NO.	DATE	BY	CHKD	DESCRIPTION
PLANNING APPLICATION ISSUED FOR CLIENT'S COMMENTS	GF	MOAT	RE	MOAT	28/09/2020 PL3
PLANNING APPLICATION	GM	MOAT	RE	MOAT	03/06/2020 PL2
BOLLARDS POSITION REVIEW	RE	UL	RE	KT	15/10/19 PL1
PLANNING APPLICATION	GM	KT	RE	VC	15/10/19 PL1
DRAFT PLANNING APPLICATION FOR COMMENT	GF	P	RE	XX	11/10/19 PL0-4
DRAFT PLANNING APPLICATION FOR COMMENT	JC	SA	RE	XX	22/05/19 PL0-3
DESCRIPTION					

SCALE 1:200@A0

PROJECT NUMBER
 60519374

SHEET TITLE
 SHROPSHIRE CLOSE
 PROPOSED BIN STORE LOCATIONS

SHEET NUMBER
 60519374_SHROPSHIRE
 CLOSE_002_REV_PL3